

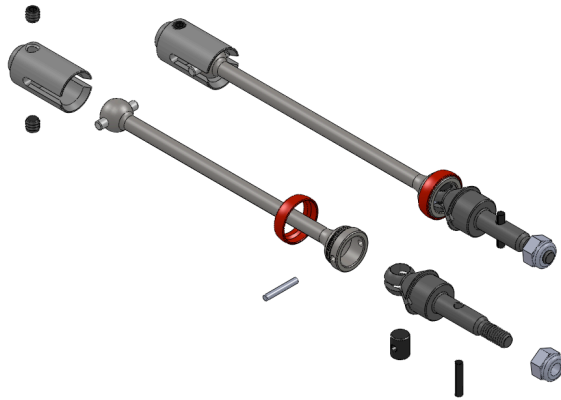
MOORE'S IDEAL PRODUCTS, LLC
830 West Golden Grove Way
Covina, CA 91722

#09104 MIP C-CVD™ KIT JATO 3.3 #5509 & JATO #5510, TRAXXAS MSRP \$42.50

This kit replaces #1623 and retro fits with the new Jato 3.3 kit. Hardened High Strength Alloy used for high power security. Threaded **Capture Ring** to ensure proper pin placement. Oxide and coated with Wax. 100% Quality made in the USA!

Support kits for #09104:

# 09105 C-CVD™ BONE, JATO 3.3 #5509 & JATO #5510 TRAXXAS	\$8.00
# 09106 C-CVD™ AXLE, JATO 3.3 #5509 & JATO #5510 TRAXXAS	\$8.00
# 08115 C-CVD™ OUTDRIVE CUP SLASH/ALL RUSTLER & STAMPEDE	\$10.00
# 08107 C-CVD™ RE-BUILD KIT 3/16	\$5.00



Please add MIP's new part numbers into your system. We are taking orders now. Questions? Contact me.

Sue Schlueter

MIP Sales/Marketing
Moore's Ideal Products, LLC
402-643-6350 ph.
866-599-5044 fax.
sue@miponline.com