

## **MIP PRESS RELEASE**

**Website:** [www.miponline.com](http://www.miponline.com)

MOORE'S IDEAL PRODUCTS, LLC  
830 West Golden Grove Way  
Covina, CA 91722

**COVINA, CA, USA - August 2010 - Moore's Ideal Products LLC,  
Manufacturer of Top Selling Aftermarket Parts for the RC Car Industry,  
Announces The Release Of Another Great RC Product!  
NEW! MIP STEEL CENTER DRIVE HUB, for REAR TRAXXAS SLASH 4X4.**

**#10138 MIP Steel Center Drive Hub, Rear Traxxas Slash 4X4                      \$10.00**

Manufactured of High Strength Carbon Steel for increased strength over stock Hub.  
Comes with M3 X .5 Set Screws to use, or Traxxas Pin Screws can be used.  
MIP Steel Hub is a direct replacement for the stock Hub!

**Support Kit:**

#10137 MIP M3 x .5 Cup Point Set Screws (8)    \$ 4.00

**Quality you just can't beat: 100% Quality made in the USA!**

We are taking orders now. Parts are in stock and ready to ship.

Sue Schlueter  
MIP Sales/Marketing  
Moore's Ideal Products, LLC  
402-643-6350 ph.  
866-599-5044 fax.  
[sue@miponline.com](mailto:sue@miponline.com)

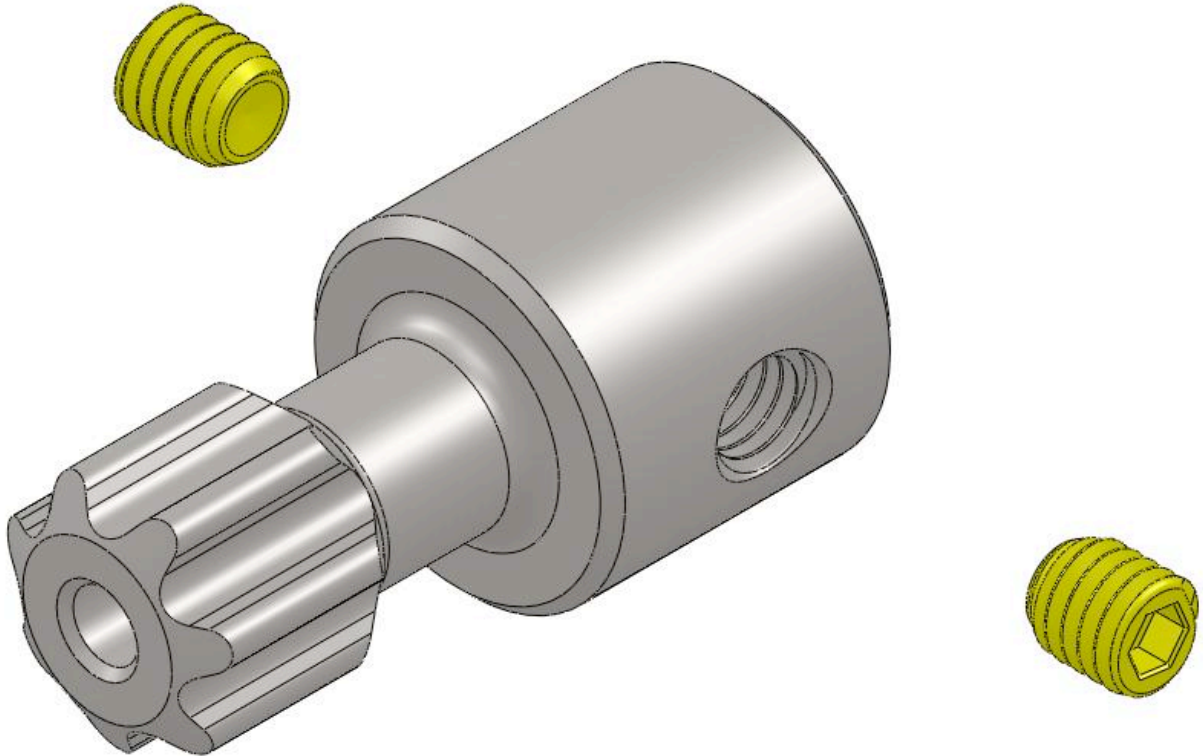
**MIP PRESS RELEASE**

Website: [www.miponline.com](http://www.miponline.com)

MOORE'S IDEAL PRODUCTS, LLC

830 West Golden Grove Way

Covina, CA 91722



**#10138 MIP STEEL CENTER DRIVE HUB, REAR TRAXXAS SLASH 4X4**