



www.MIPonline.com

MIP X-Duty™ Instruction Guide



8-32 Setscrew (x4)
#00-209



Cross Pin (x4)
#18100



Coupling (x4)
#18100



M4 Pin Screw (x8)
#99060



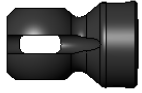
1mm Spacer (x4)
#2010-0014



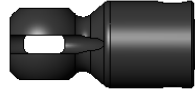
.25mm Spacer (x8)
#00-422



Drive Hub,
13mm (x2)
#18111



Drive Hub,
20mm (x2)
#18113



X-Duty Male,
65mm (x2)
#18104



X-Duty Female,
40mm (x2)
#18101



Apply MIP Lube



WARNING!!!
Chemicals in tubes
may cause eye/skin
irritation and can be
harmful if
swallowed.

If it
comes in contact
with skin, wash with
plenty of soap and
water. If in eyes;
Rinse with water for
fifteen minutes. If
irritation persists get
medical advice.

For more information
& SDS please visit:

www.miponline.com/store/sds.html



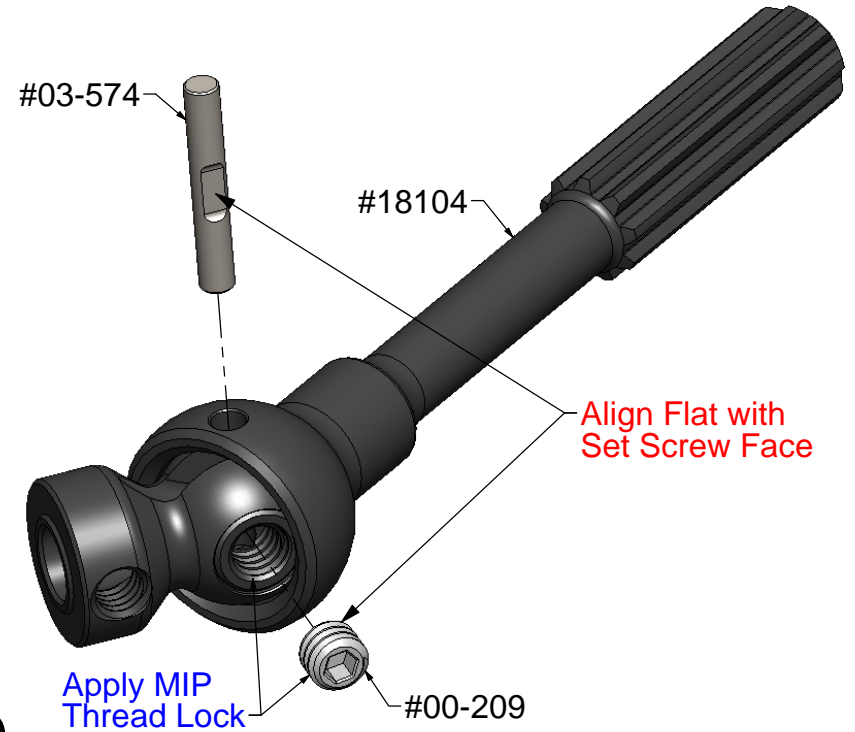
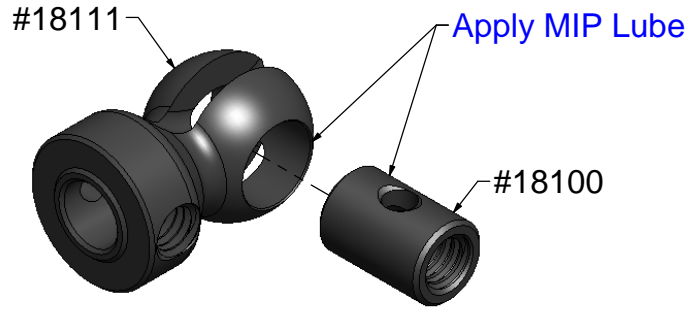
Apply MIP
Thread Lock

© 2019
Moore's Ideal Products, LLC
830 W. Golden Grove Way
Covina, CA 91722

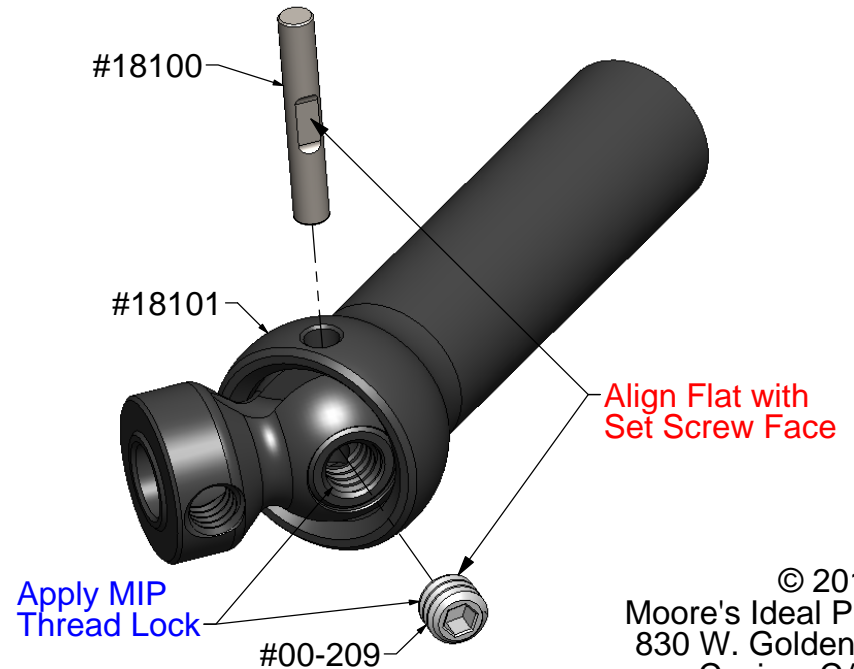
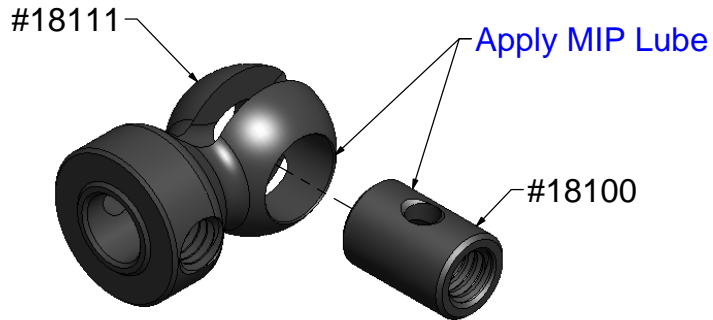


www.MIPonline.com

MIP X-Duty™ Instruction Guide



Front Drive

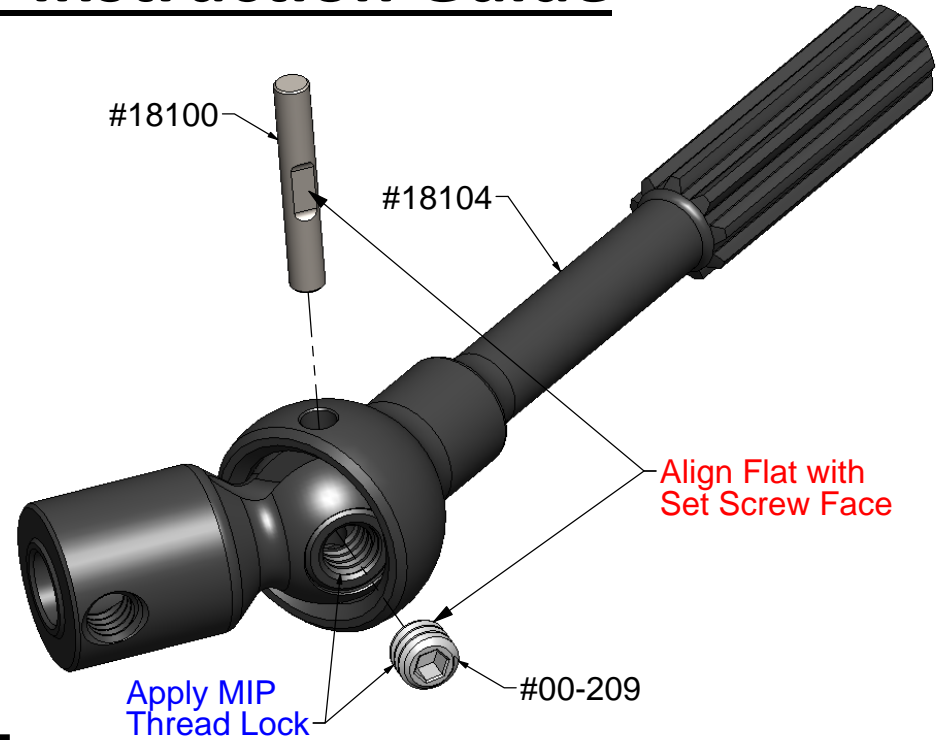
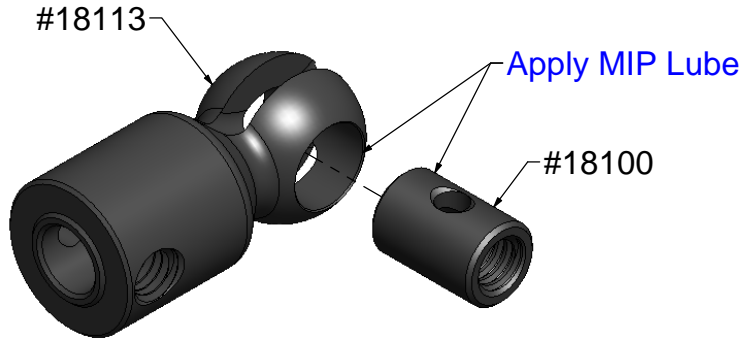


© 2019
 Moore's Ideal Products, LLC
 830 W. Golden Grove Way
 Covina, CA 91722

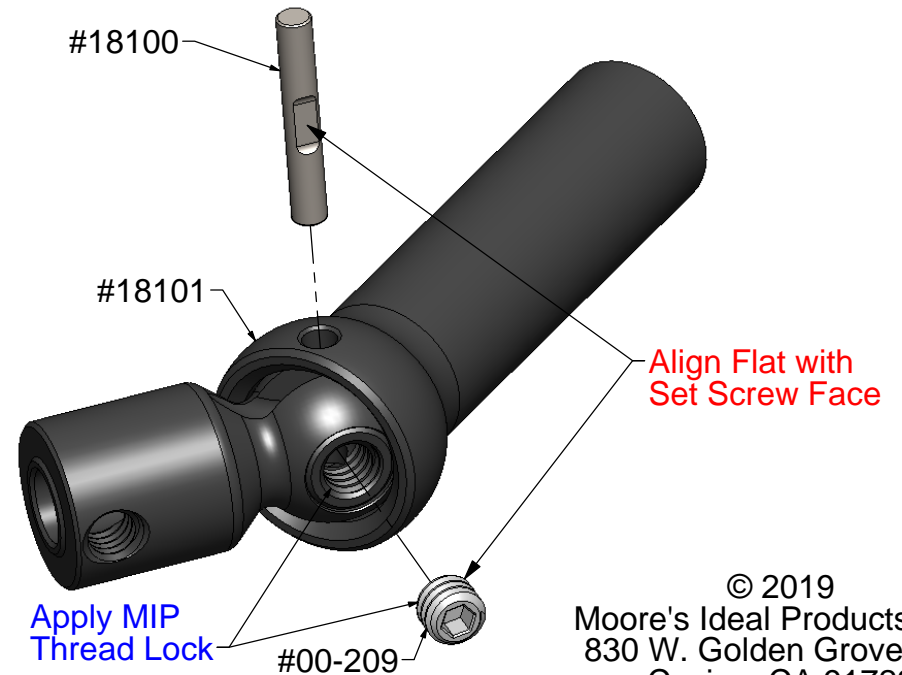
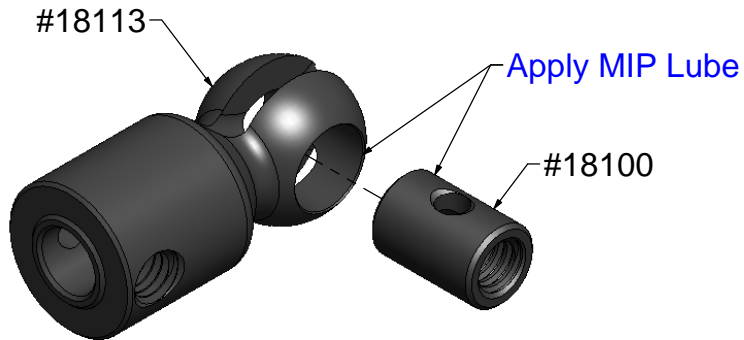


www.MIPonline.com

MIP X-Duty™ Instruction Guide



Rear Drive

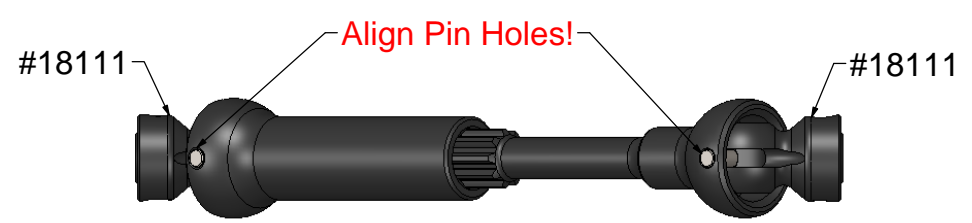
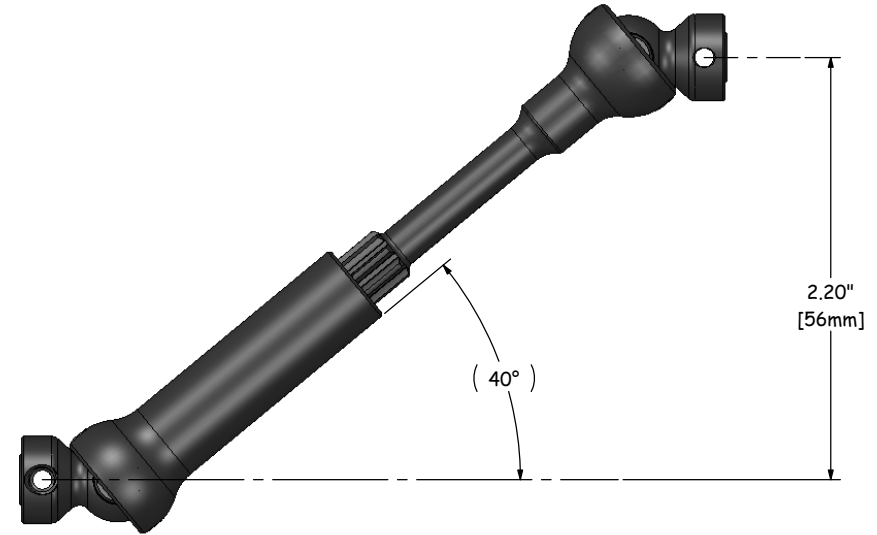
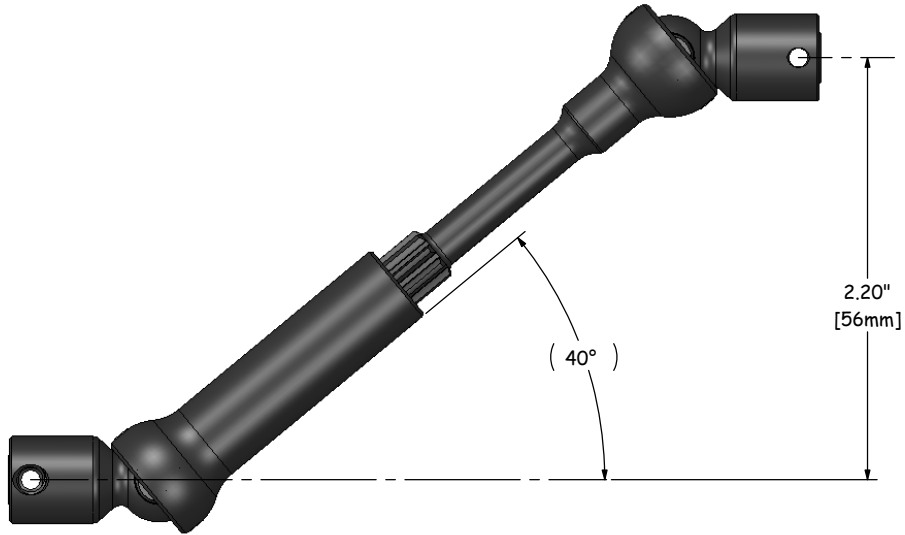


© 2019
 Moore's Ideal Products, LLC
 830 W. Golden Grove Way
 Covina, CA 91722



www.MIPonline.com

MIP X-Duty™ Instruction Guide



Rear Drive Assembled

Front Drive Assembled

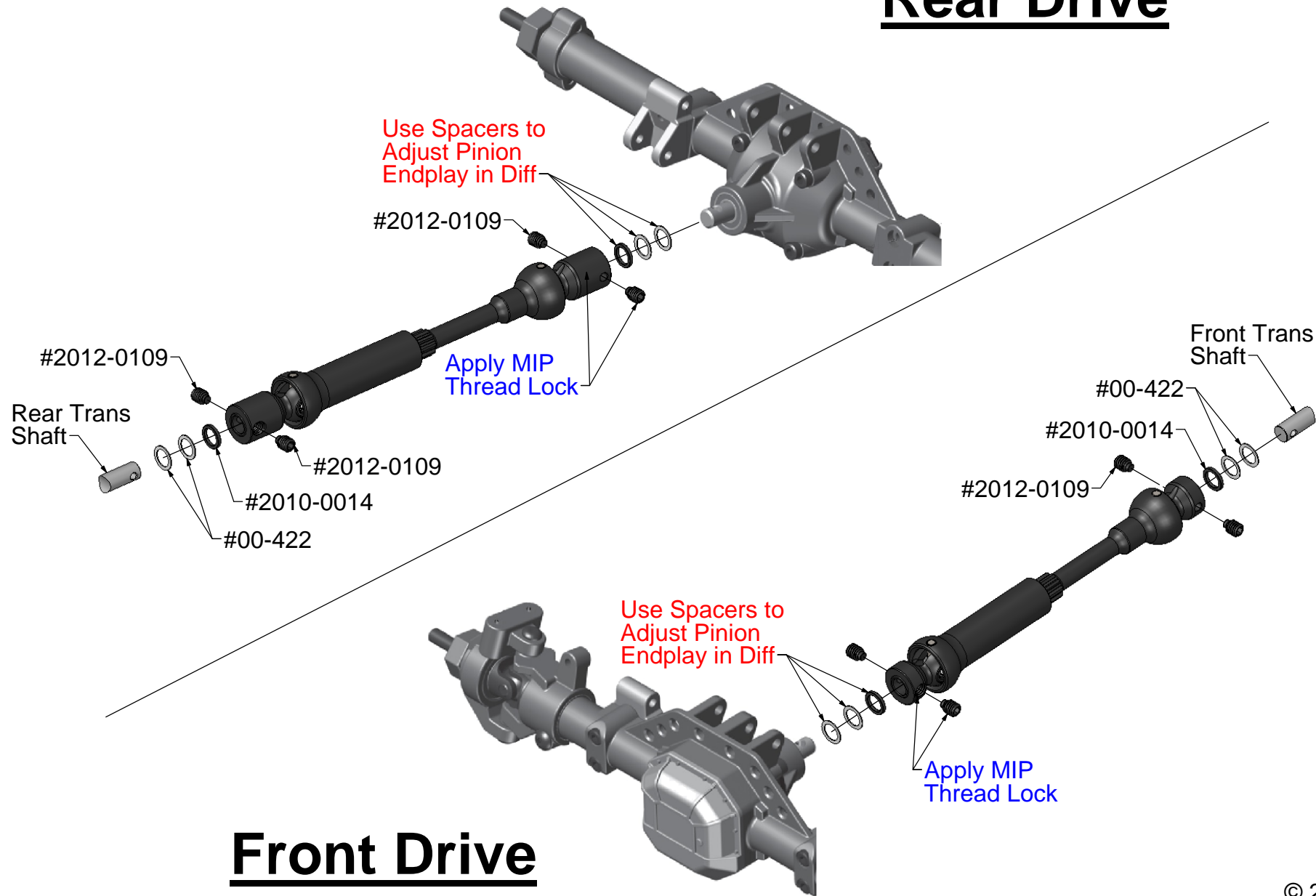
© 2019
Moore's Ideal Products, LLC
830 W. Golden Grove Way
Covina, CA 91722



www.MIPonline.com

MIP X-Duty™ Instruction Guide

Rear Drive



Front Drive

© 2019
 Moore's Ideal Products, LLC
 830 W. Golden Grove Way
 Covina, CA 91722