



www.MIPonline.com

MIP Tool Instructions & Guidelines

Complete Tool™ List

Our MIP Wrenches™ are precision machined from Tool Steels. We aim for quality with tight tolerances which gives you the best comfort and feel to enjoy your hobby! All these quality features will ensure you enjoy many years of use!



Hex Driver Wrenches™

- #9000 MIP Hex Driver Wrench .050"
- #9001 MIP Hex Driver Wrench 1/16"
- #9002 MIP Hex Driver Wrench 5/64"
- #9003 MIP Hex Driver Wrench 3/32"
- #9004 MIP Hex Driver Ball Wrench 3/32"
- #9007 MIP Hex Driver Wrench 1.5mm
- #9008 MIP Hex Driver Wrench 2.0mm
- #9009 MIP Hex Driver Wrench 2.5mm
- #9010 MIP Hex Driver Ball Wrench 2.5mm
- #9011 MIP Hex Driver Wrench 3.0mm
- #9012 MIP Hex Driver Wrench 0.9mm
- #9013 MIP Hex Driver Wrench 1.3mm
- #9040 MIP Hex Driver Ball Wrench 2.0mm
- #9043 MIP Hex Driver Ball Wrench 3.0mm



Speed-Tip™ Wrenches

- #9000S MIP Speed-Tip Wrench .050"
- #9001S MIP Speed-Tip Wrench 1/16"
- #9002S MIP Speed-Tip Wrench 5/64"
- #9003S MIP Speed-Tip Wrench 3/32"
- #9004S MIP Speed-Tip Ball Wrench 3/32"
- #9007S MIP Speed-Tip Wrench 1.5mm
- #9008S MIP Speed-Tip Wrench 2.0mm
- #9009S MIP Speed-Tip Wrench 2.5mm
- #9010S MIP Speed-Tip Ball Wrench 2.5mm
- #9011S MIP Speed-Tip Wrench 3.0mm
- #9013S MIP Speed-Tip Wrench 1.3mm
- #9040S MIP Speed-Tip Ball Wrench 2.0mm
- #9043S MIP Speed-Tip Ball Wrench 3.0mm



MIP Wrench Bundles

- #9501 MIP Hex Driver Wrench Set, .050", 1/16", 5/64", 3/32"
- #9502 MIP Hex Driver Wrench Set, 1.5mm, 2.0mm, 2.5mm
- #9503 MIP Nut Driver Wrench Set, 5.5mm & 7.0mm
- #9505 MIP Nut Driver Wrench Set, 3/16", 1/4", & 11/32"
- #9506 MIP Hex Driver Ball Wrench Set, 2.0mm, 2.5mm, & 3.0mm
- #9511 MIP Speed-Tip Wrench Set, 1/16", 5/64", & 3/32"
- #9512 MIP Speed-Tip Wrench Set, 1.5mm, 2.0mm, & 2.5mm
- #9516 MIP Speed-Tip Ball Wrench Set, 2.0mm, 2.5mm, & 3.0mm
- #9520 MIP Nut Driver Wrench Set, 2.0mm Hex Wrench & 7.0mm
- #9730 MIP Turnbuckle Wrench Set, 3.25mm, 3.70mm, & 4.00mm



Nut Drivers™

- #9701 MIP Nut Driver Wrench 4.0mm
- #9702 MIP Nut Driver Wrench 5.0mm
- #9703 MIP Nut Driver Wrench 5.5mm
- #9704 MIP Nut Driver Wrench 7.0mm
- #9705 MIP Nut Driver Wrench 8.0mm
- #9706 MIP Nut Driver Wrench 3/16"
- #9707 MIP Nut Driver Wrench 1/4"
- #9709 MIP Nut Driver Wrench 11/32"



Turnbuckle Wrenches

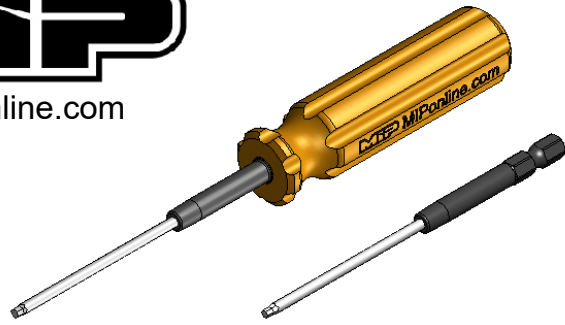
- #9715 MIP Turnbuckle Wrench 4.00mm
- #9720 MIP Turnbuckle Wrench 3.70mm
- #9725 MIP Turnbuckle Wrench 3.25mm

© 2020

Moore's Ideal Products, LLC
830 W. Golden Grove Way
Covina, CA 91722



www.MIPonline.com



MIP Tool Instructions & Guidelines

Hex Drivers™ / Speed-Tip Drivers™

Our MIP Drivers™ are precision tools for small hex-headed hobby screws, designed to meet the needs of RC Racers since 1997. #1 TRUSTED choice for use with Titanium Screws!

Please completely read all the tips before use!

TIPS AND SAFETY REQUIREMENTS:

1. Never use your MIP Driver™ to pry, hammer, or over torque! This will bend and break the driver tip causing failure! The same hardened quality that keeps the tips sharp and precise can be brittle and subject to breaking if misused as a prying tool. MIP Drivers™ are designed for tightening and removing screws only!!!
2. Only use MIP Speed-Tip Drivers™ in power tools with an adjustable clutch! Your power tool handle will over torque the Speed-Tip Driver™ which could break the tip. Be sure to set power tool clutch loose enough to lightly tighten screws. Use your MIP Hex Driver™ (hand tool) to finish tightening or to loosen screws!
3. Remember to work safe! Always wear appropriate eye and hand protection when using hand tools.

MIP MIP Wrench Wraps

Shrink Tube

Wrench Wrap

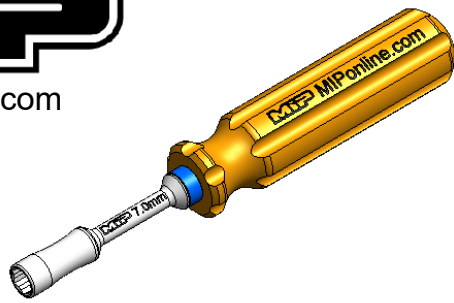
Insert

Solid Color Wraps: Hex Wrench

Stripe Color Wraps: Ball-End Wrench



www.MIPonline.com



MIP Tool Instructions & Guidelines

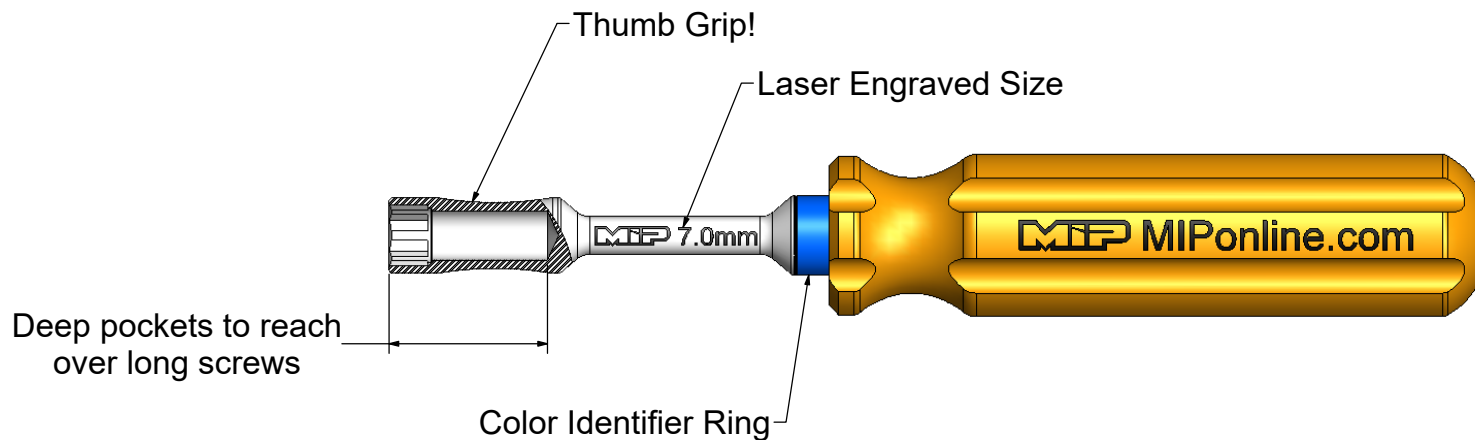
Nut Drivers™

Our MIP Nut Drivers™ are precision machined from Tool Steel then, Heat Treated, Nickel Plated, & Laser Engraved with a color identifier ring. All these quality features will ensure many years of use!

Please completely read all the tips before use!

TIPS AND SAFETY REQUIREMENTS:

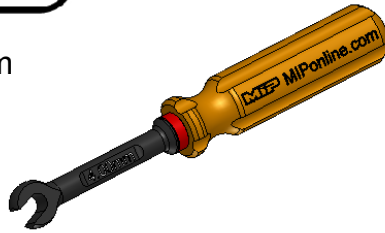
- 1. Never use your MIP Nut Driver™ to pry, hammer, or over torque! This will break the driver tip causing failure! MIP Drivers™ are designed for tightening and removing nuts only!!!*
- 2. Remember to work safe! Always wear appropriate eye and hand protection when using hand tools.*



© 2020
Moore's Ideal Products, LLC
830 W. Golden Grove Way
Covina, CA 91722



www.MIPonline.com



MIP Tool Instructions & Guidelines

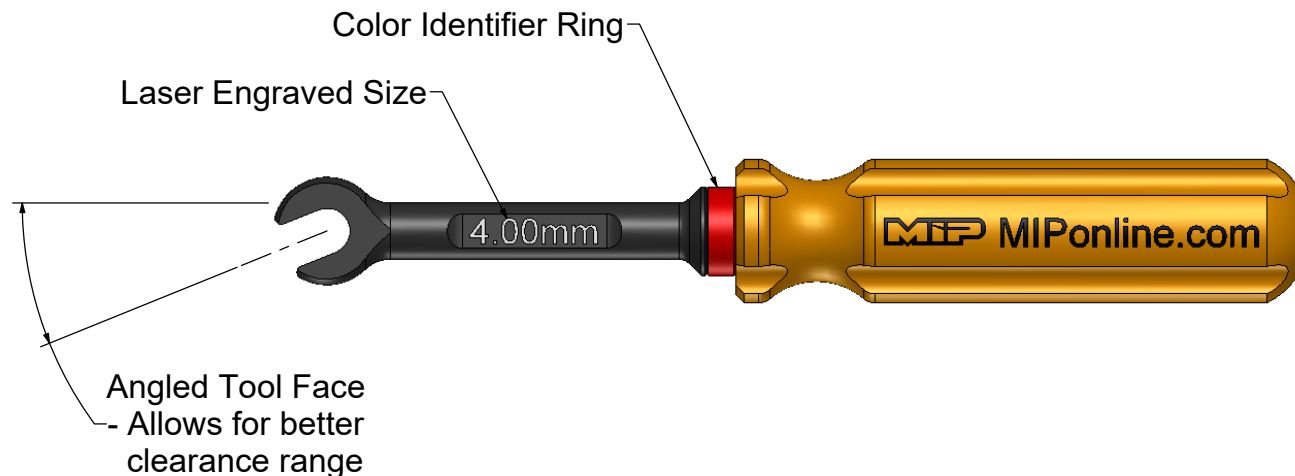
Turnbuckle Wrench™

Our MIP Turnbuckle Wrenches™ are precision machined from Tool Steel and Engraved for size with a color identifier ring. All these quality features will ensure many years of use!

Please completely read all the tips before use!

TIPS AND SAFETY REQUIREMENTS:

- 1. Never use your MIP Turnbuckle Wrench™ to pry, hammer, or over torque! This will cause wrench failure! MIP Turnbuckle Wrenches™ are designed for adjusting turnbuckles only!!!*
- 2. Remember to work safe! Always wear appropriate eye and hand protection when using hand tools.*



© 2020
Moore's Ideal Products, LLC
830 W. Golden Grove Way
Covina, CA 91722