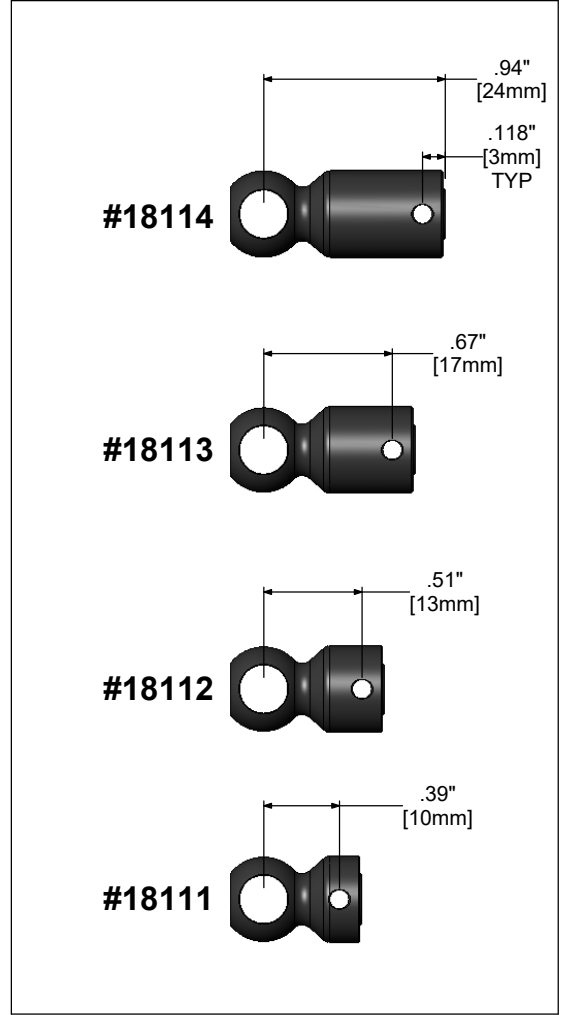
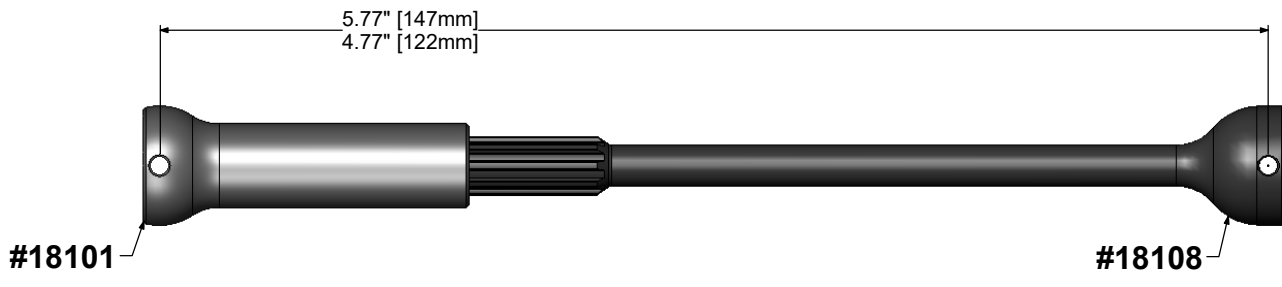
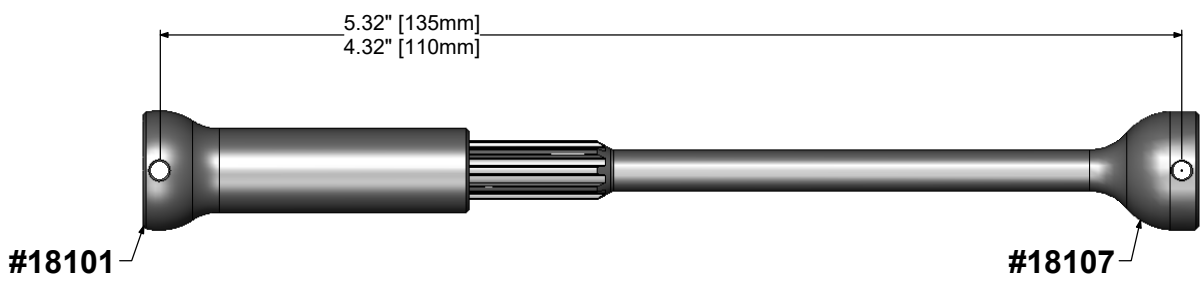
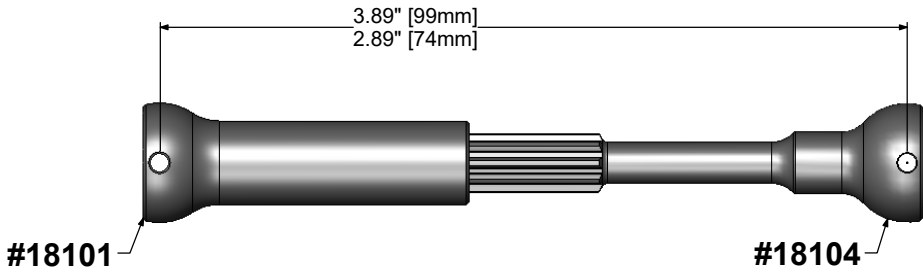
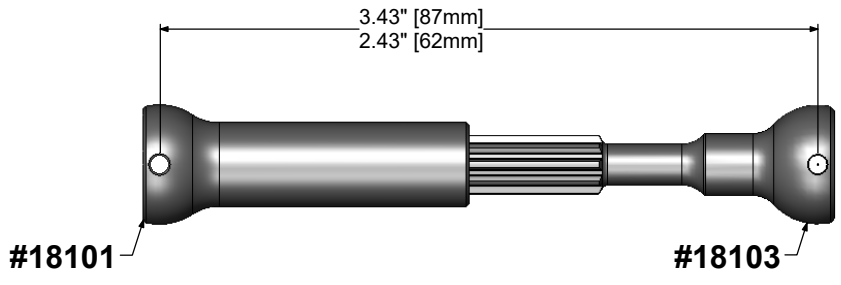
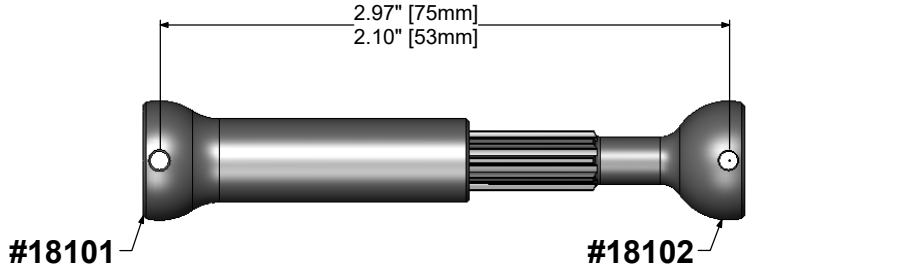


5MM HUBS

X-DUTY SPLINE BONES



NOTES:

- RECOMMENDED MIN & MAX LENGTHS
- ALWAYS USE THREAD LOCK ON METAL SCREWS
- ALWAYS GREASE MOVING PARTS



Moore's Ideal Products, LLC
 830. W. Golden Grove Way, Covina, California 91722 U.S.A.
 ph: 626.339.9008 fx: 866.599.5044 WWW.MIPONLINE.COM

XX ±.01 ANGULAR: ±.5° INTERPRET: ANSI Y14.1	XXX: ±.005 FRAC: ±.015	APPROVAL:	DRAWN: BLU DATE: 7.28.20	TITLE: MIP X-DUTY SPLINE BONE CROSS REFERENCE SHEET
MATERIAL: MIP ALLOY STEEL	SHEET: 1 OF 1	Draw Scale: 1:1	Part Number: SEE NOTES	Rev: n/c