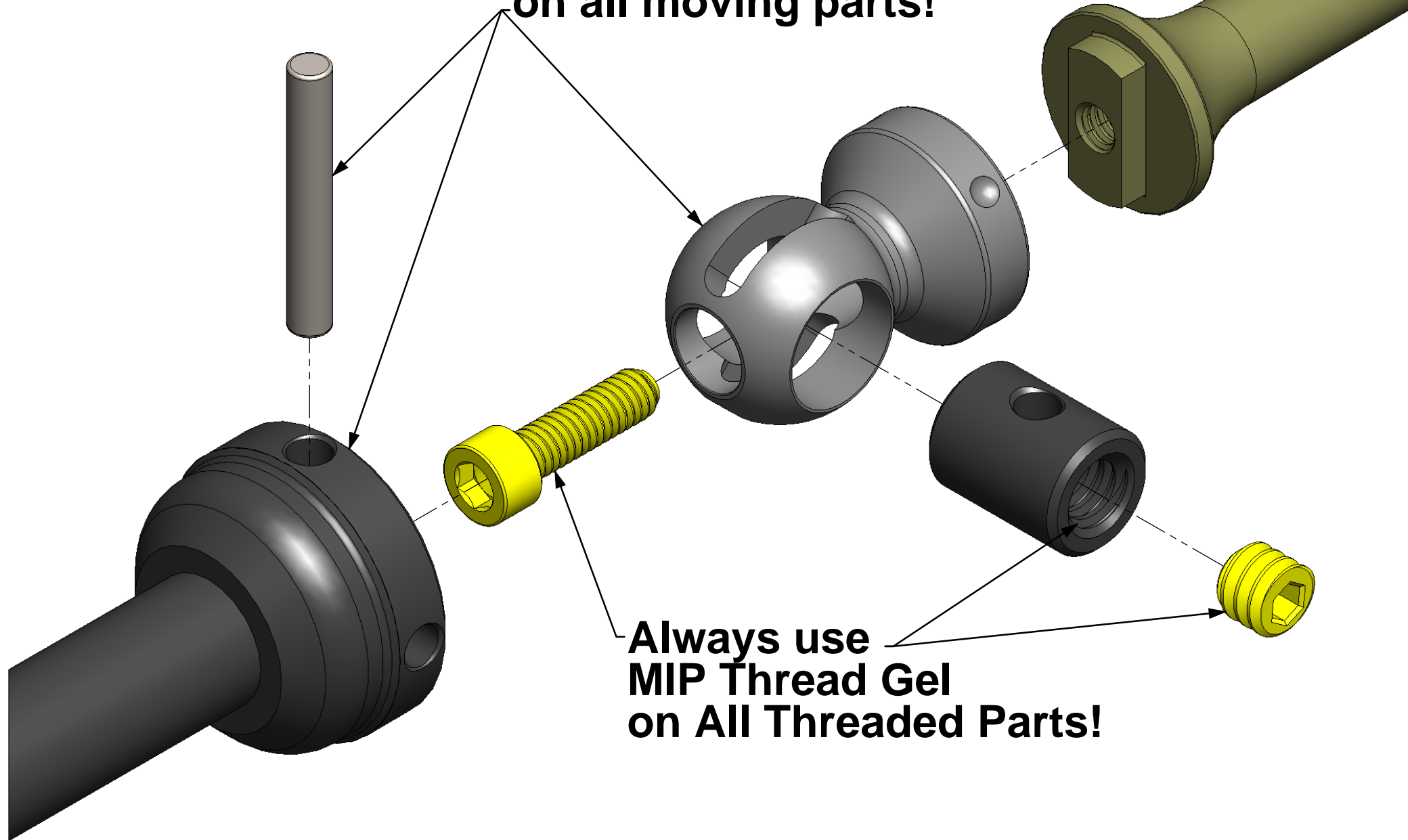




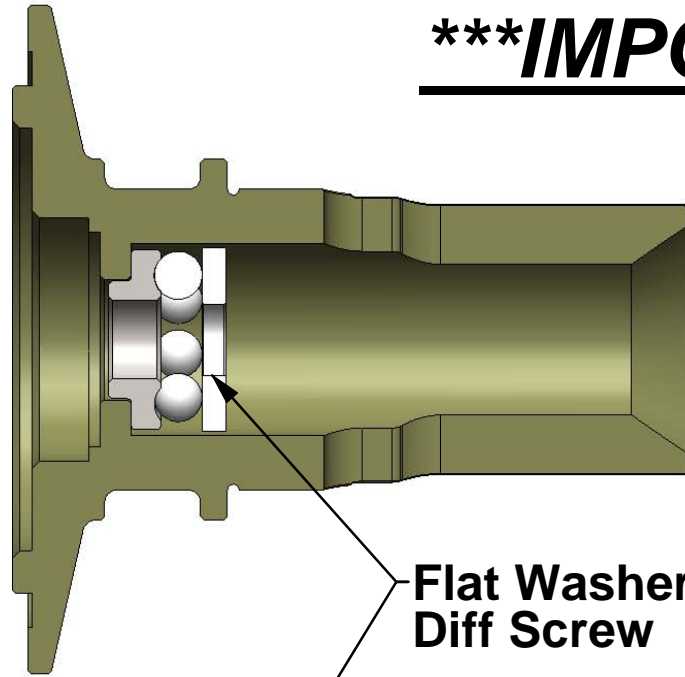
**Always use MIP Grease
on all moving parts!**



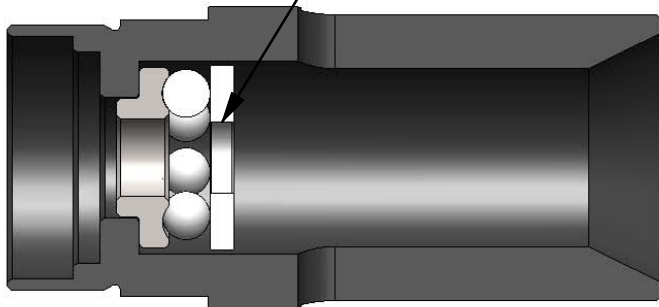
**Always use
MIP Thread Gel
on All Threaded Parts!**

Visit www.miponline.com for more tips and information!

*****IMPORTANT NOTE!*****

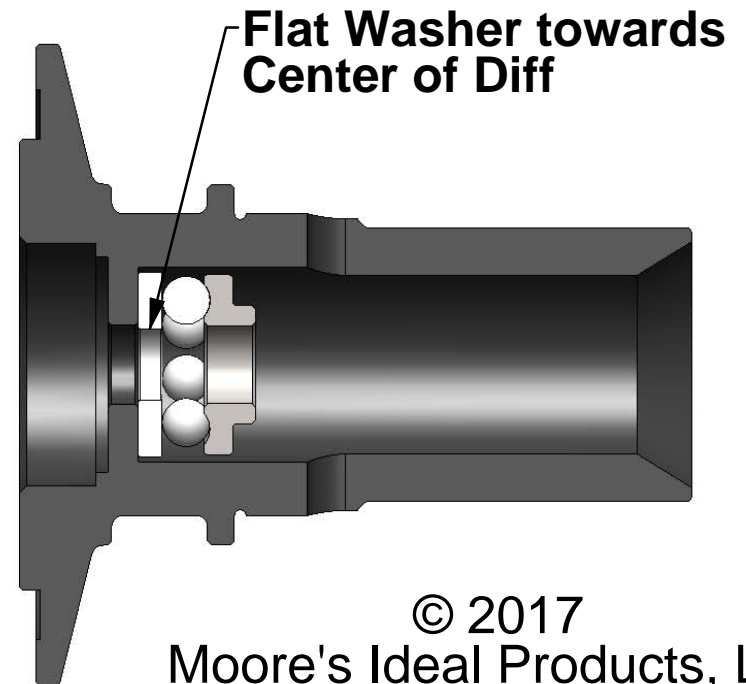


Flat Washer towards
Diff Screw



**MIP Replacement
Outdrive Thrust Assembly**

**Stock Outdrive
Thrust Assembly**



Flat Washer towards
Center of Diff