

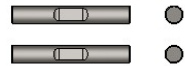


MIP X-Duty™ Instruction Guide

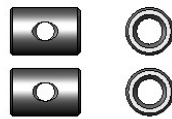
www.MIPonline.com



8-32 Setscrew (x4)
#00-209



Cross Pin (x4)
#18100



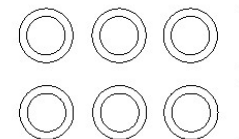
Coupling (x4)
#18100



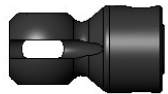
M4 Pin Screw (x4)
#99120



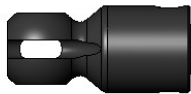
1mm Spacer (x4)
#2010-0014



.25mm Spacer (x8)
#00-422



Drive Hub,
16mm (x2)
#18112



Drive Hub,
20mm (x2)
#18113



Drive Hub,
24mm (x1)
#18114



X-Duty Male,
65mm (x2)
#18104



X-Duty Female,
40mm (x2)
#18101



Apply MIP Lube



WARNING!!!
Chemicals in this cup may cause eye\skin irritation and can be harmful if swallowed. If it comes in contact with skin, wash with plenty of soap and water. If in eyes: Rinse with water for fifteen minutes. If irritation persists get medical advice.
For more information & SDS please visit at www.miponline.com/store/sds.html



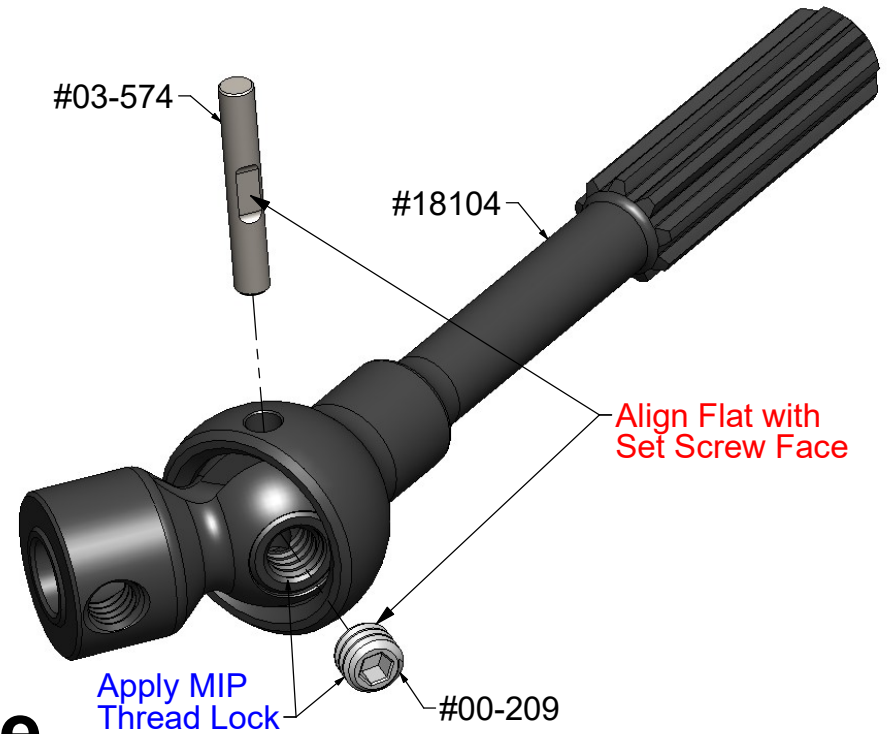
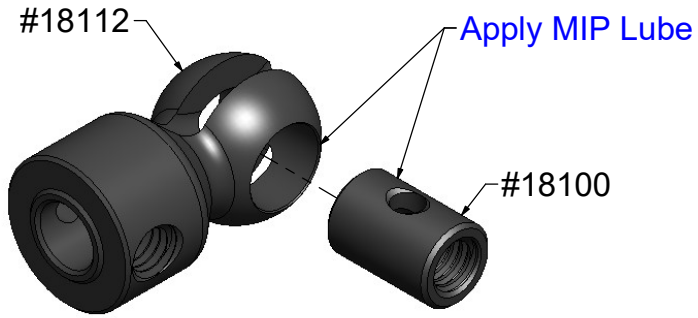
Apply MIP Thread Lock

© 2020
Moore's Ideal Products, LLC
830 W. Golden Grove Way
Covina, CA 91722

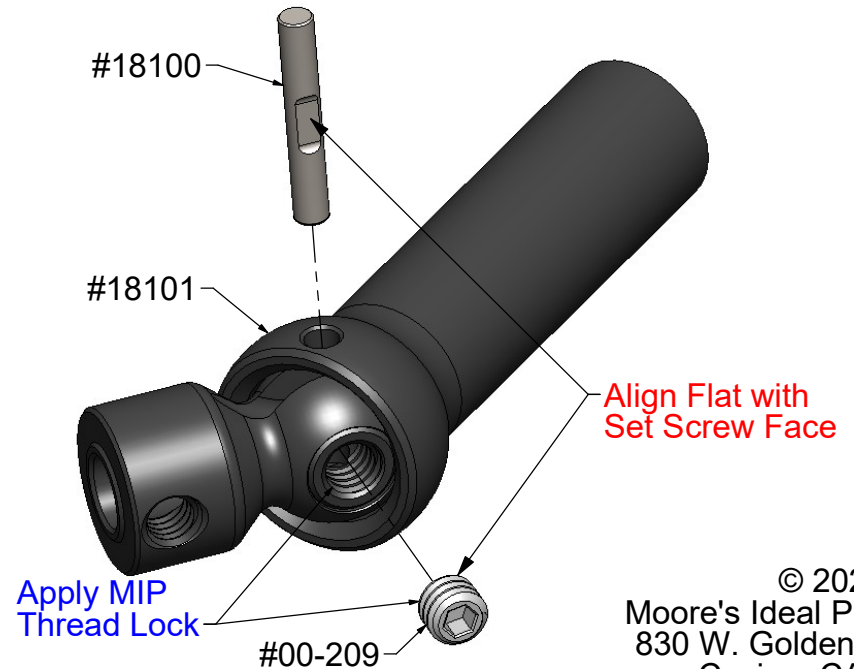
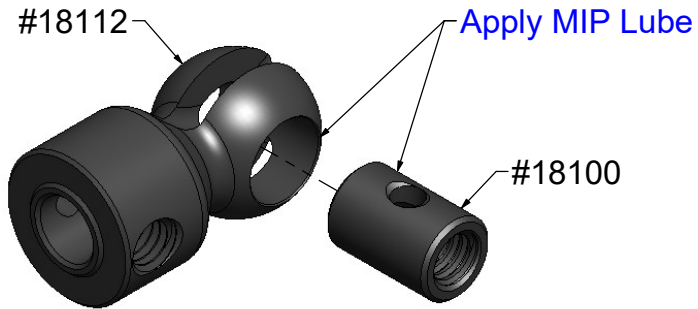


www.MIPonline.com

MIP X-Duty™ Instruction Guide



Front Drive

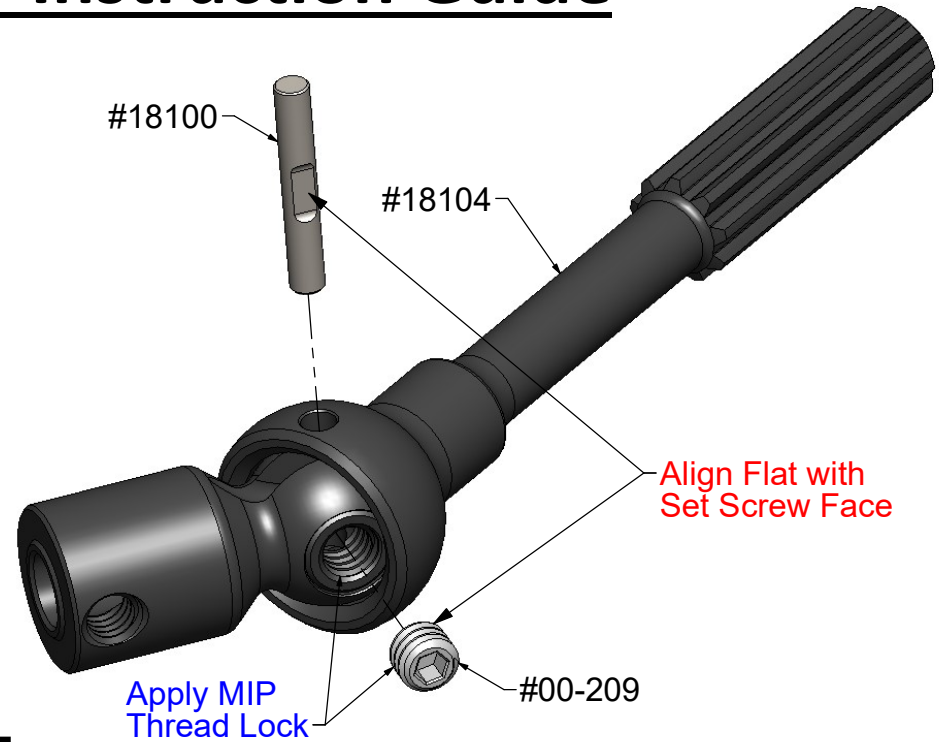
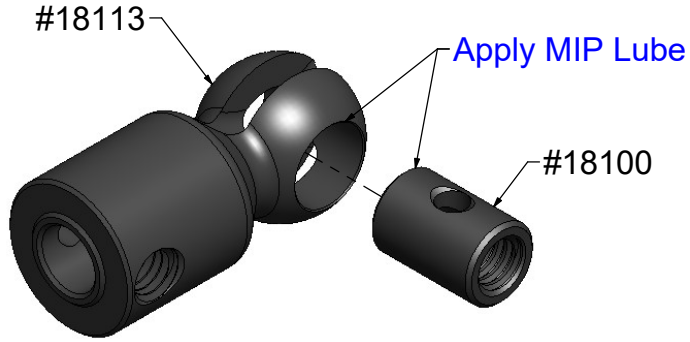


© 2020
 Moore's Ideal Products, LLC
 830 W. Golden Grove Way
 Covina, CA 91722

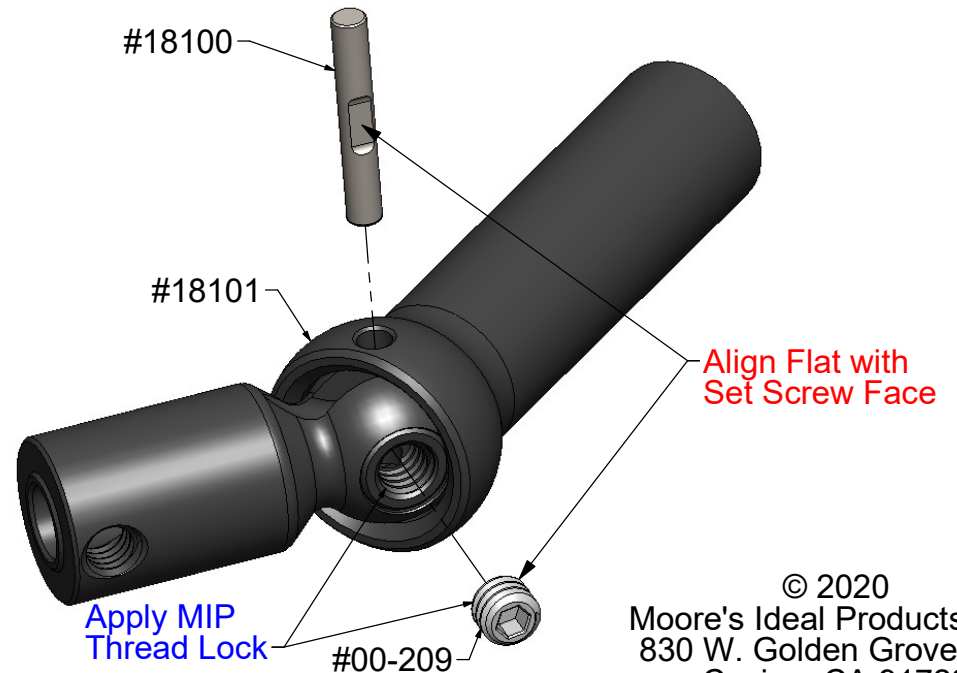
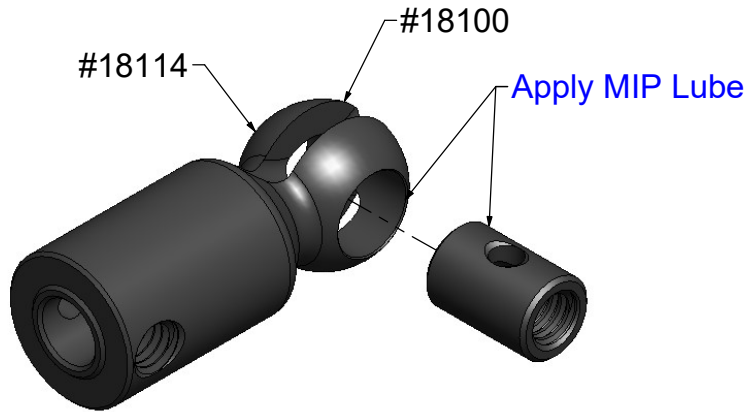


www.MIPonline.com

MIP X-Duty™ Instruction Guide



Rear Drive

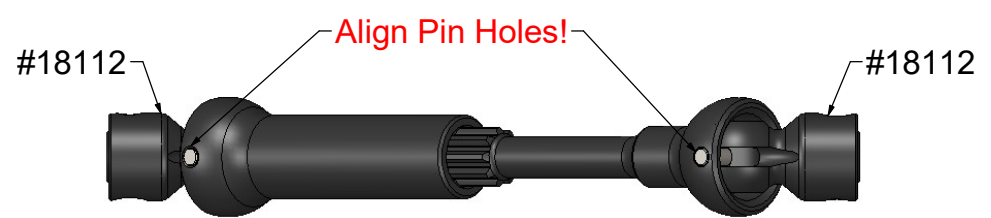
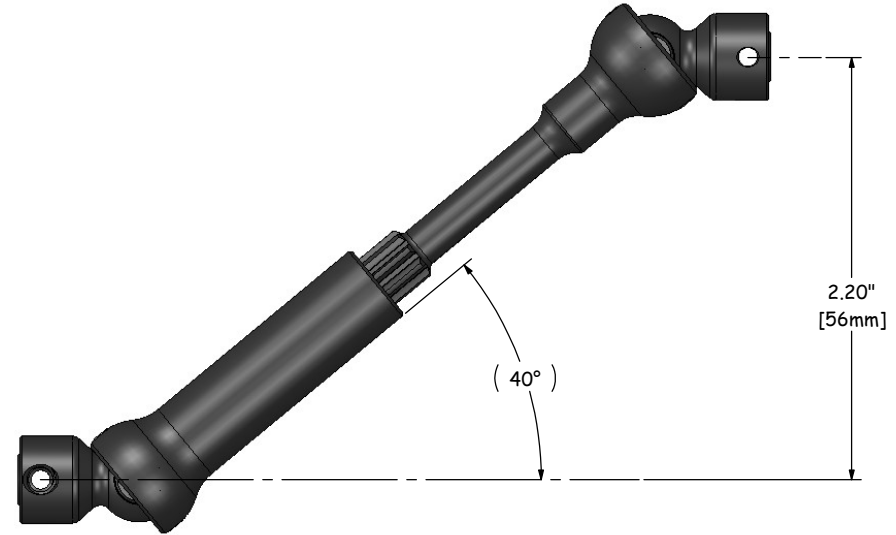
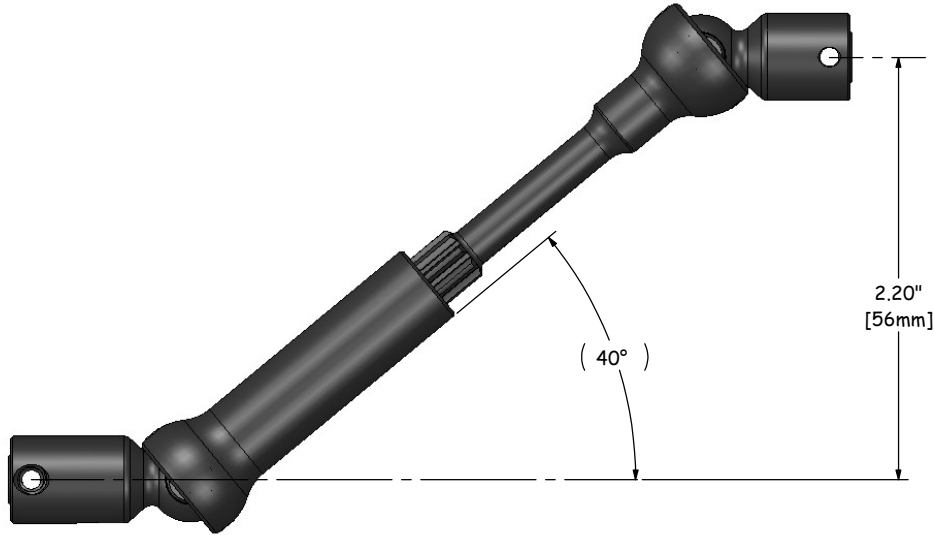


© 2020
 Moore's Ideal Products, LLC
 830 W. Golden Grove Way
 Covina, CA 91722



www.MIPonline.com

MIP X-Duty™ Instruction Guide



Note: This kit comes with an extra drive hub that can be used in addition to tune the drive shaft for different wheel base configurations!

Rear Drive Assembled

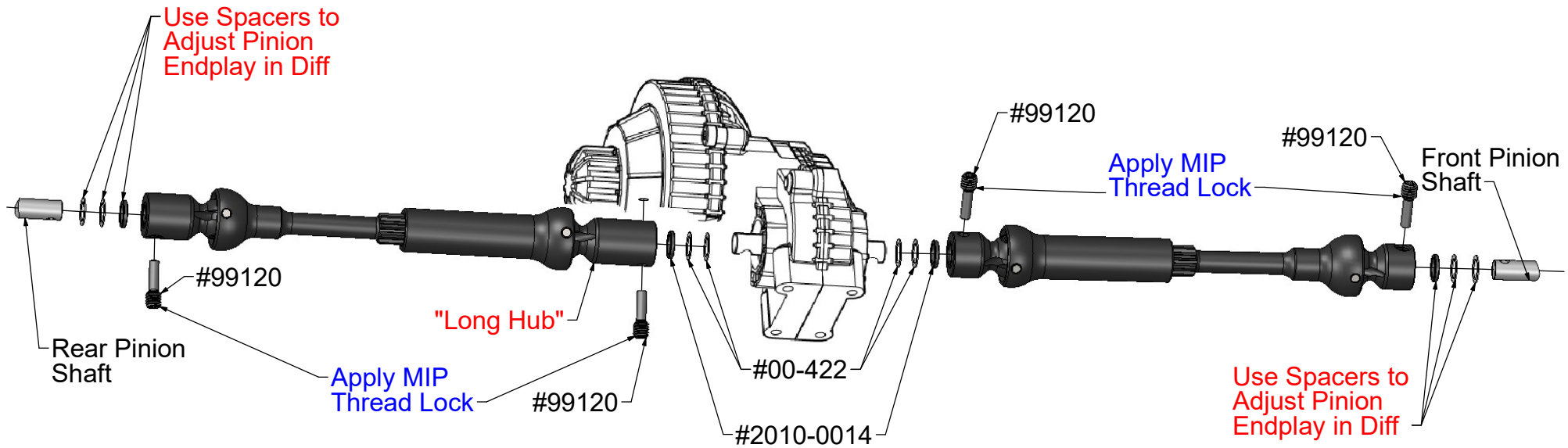
Front Drive Assembled

© 2020
Moore's Ideal Products, LLC
830 W. Golden Grove Way
Covina, CA 91722



www.MIPonline.com

MIP X-Duty™ Instruction Guide



Rear Drive

Front Drive