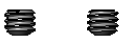




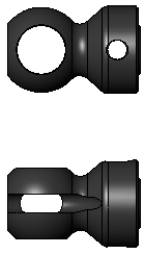






www.MIPonline.com

MIP X-Duty™ Instruction Guide

 <p>8-32 Setscrew (x2) #00-209</p>	 <p>Cross Pin (x2) #18100</p>	 <p>Coupling (x2) #18100</p>	 <p>M4 x 12mm Pin Screw (x2) #99120</p>	 <p>2mm Spacer (x2) #2010-0015</p>
---	--	--	--	---

 <p>Drive Hub, 13mm (x2) #18111</p>	 <p>X-Duty Male Drive, 102mm (x1) #18107</p>	 <p>X-Duty Female Drive, 40mm (x1) #18101</p>
--	--	--



Apply MIP
Thread Lock



WARNING!!!
Chemicals in tubes
may cause eye/skin
irritation and can be
harmful if
swallowed. If it
comes in contact
with skin, wash with
plenty of soap and
water. If in eyes;
Rinse with water for
fifteen minutes. If
irritation persists get
medical advice.

For more information
& SDS please visit:
www.miponline.com/store/sds.html



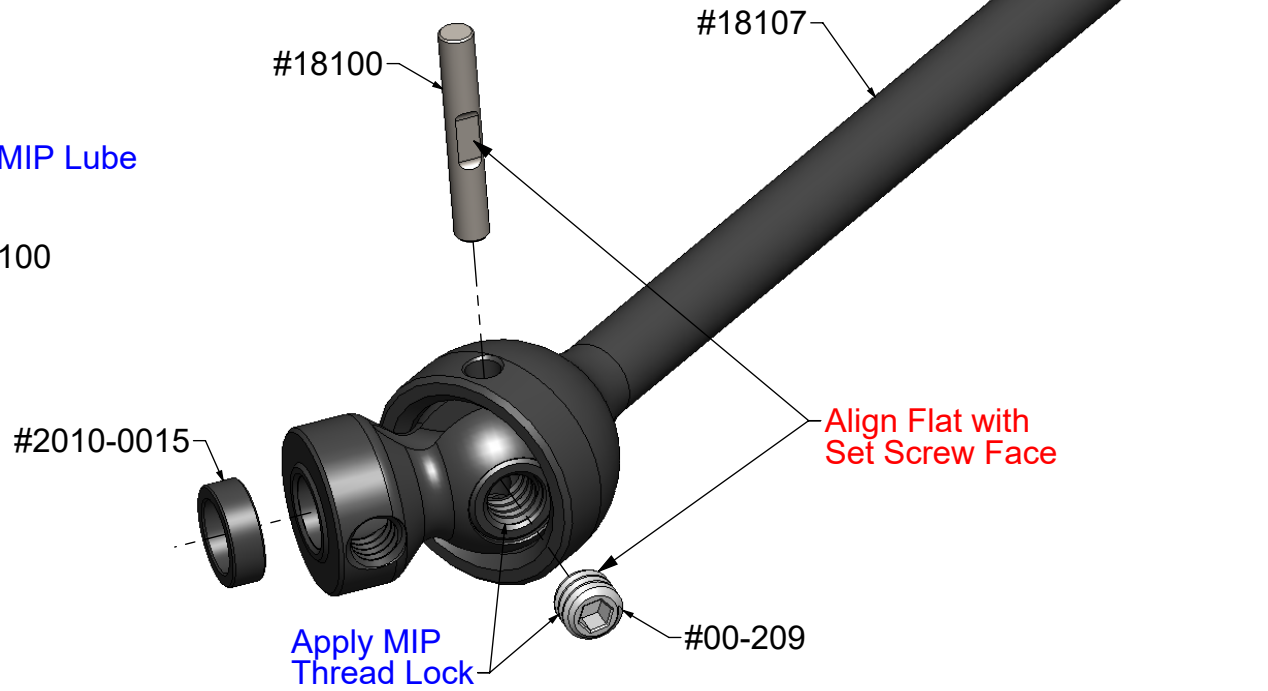
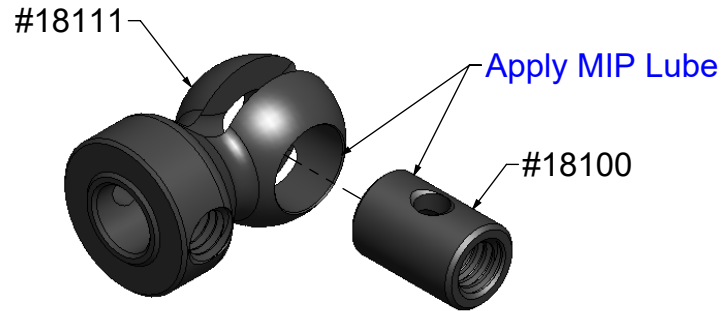
Apply MIP Lube

© 2021
Moore's Ideal Products, LLC
830 W. Golden Grove Way
Covina, CA 91722

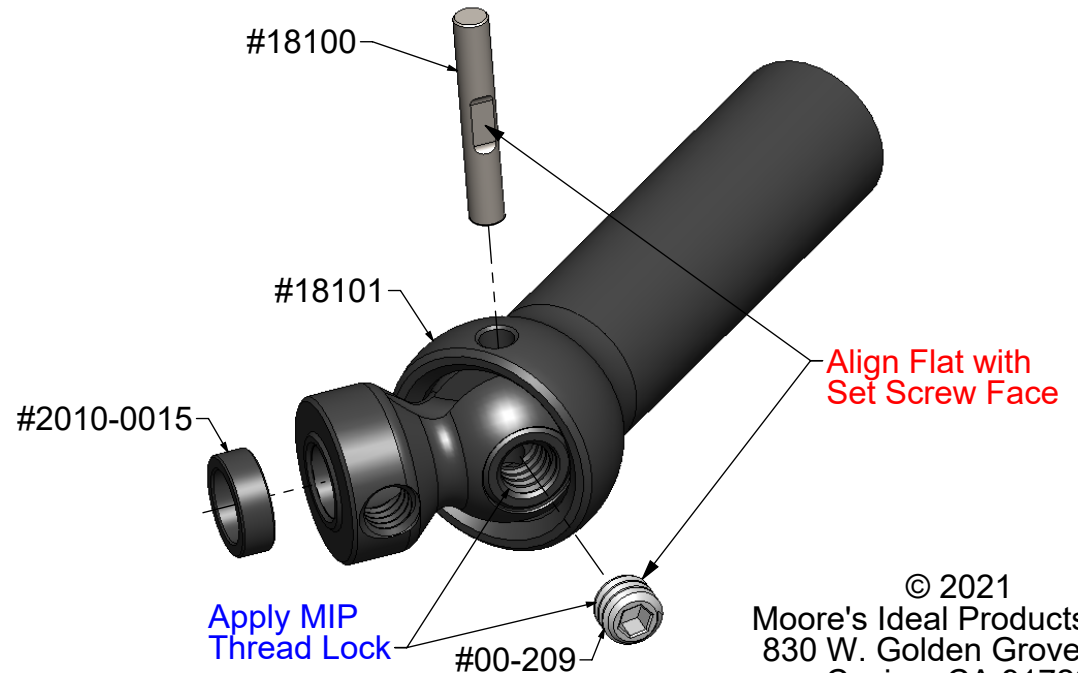
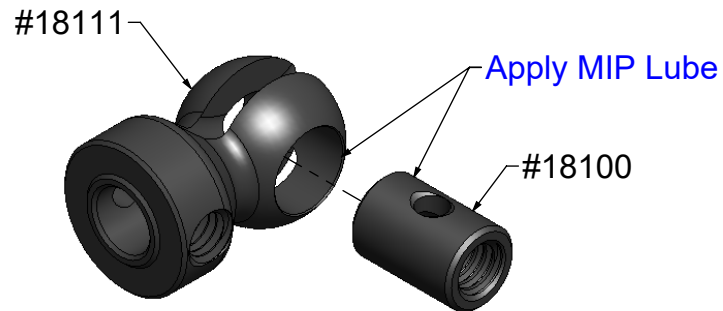


www.MIPonline.com

MIP X-Duty™ Instruction Guide



Drive Assembly

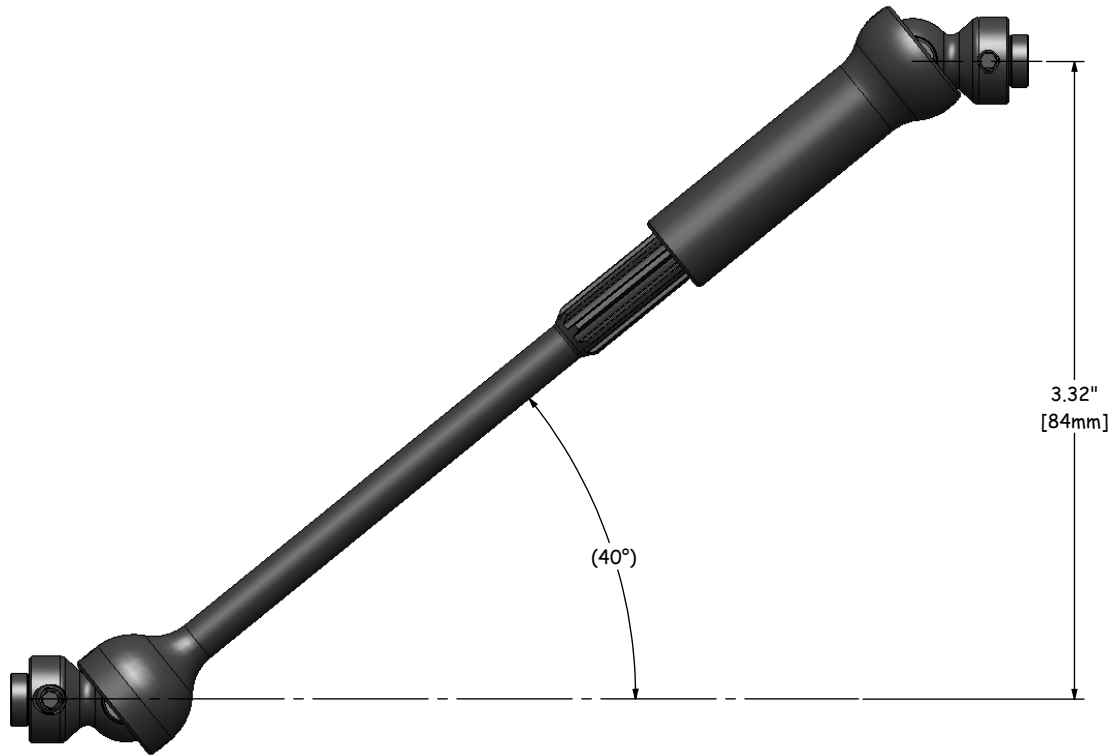


© 2021
 Moore's Ideal Products, LLC
 830 W. Golden Grove Way
 Covina, CA 91722



www.MIPonline.com

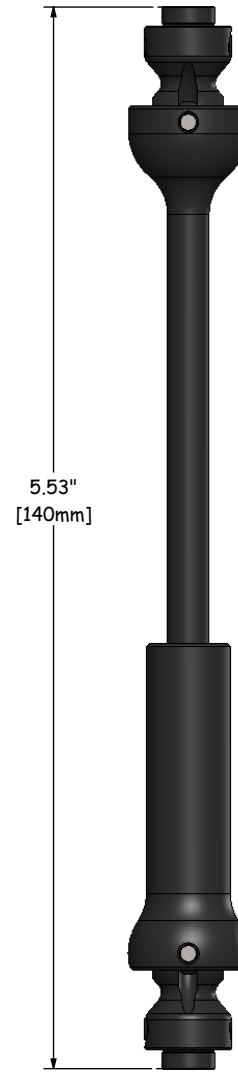
MIP X-Duty™ Instruction Guide



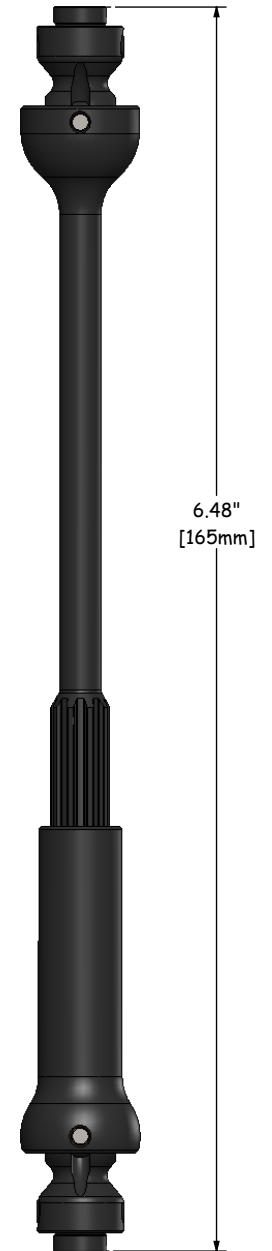
Drive Limits



MIN



MAX



© 2021

Moore's Ideal Products, LLC
830 W. Golden Grove Way
Covina, CA 91722