



MIP X-Duty™ Instruction Guide

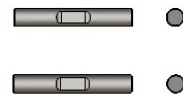
www.MIPonline.com



8-32
Setscrew (x4)
#00-209



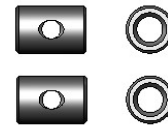
M4 Locknut
(x2)
#00-184



Cross Pin (x4)
#18100



2mm
Spacer (x4)
#20050



Coupling (x4)
#18100



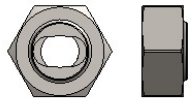
M4 x 12mm Pin
Screw (x2)
#99120



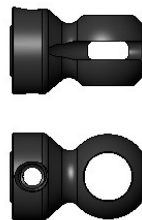
1mm
Spacer (x2)
#20050



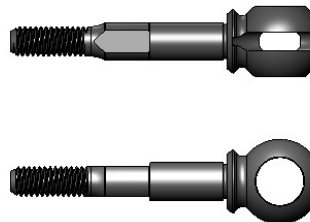
M3 Setscrew
(x2)
#12140



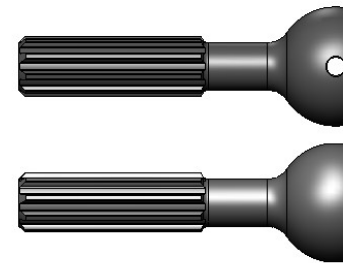
12mm Hex
Adapter (x2)
#12140



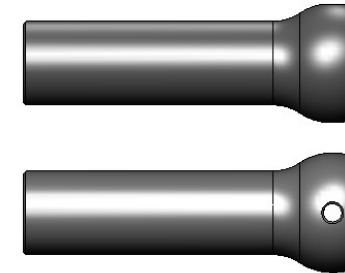
Drive Hub,
13mm (x2)
#18111



Rear Axle, 5mm
Bearing (x2)
#18141



X-Duty Male,
42mm (x2)
#18102



X-Duty Female,
40mm (x2)
#18101



Apply MIP
Thread Lock



WARNING!!!
Chemicals in tubes
may cause eye/skin
irritation and can be
harmful if
swallowed. If it

comes in contact
with skin, wash with
plenty of soap and
water. If in eyes;
Rinse with water for
fifteen minutes. If
irritation persists get
medical advice.

For more information
& SDS please visit:

www.miponline.com/store/sds.html



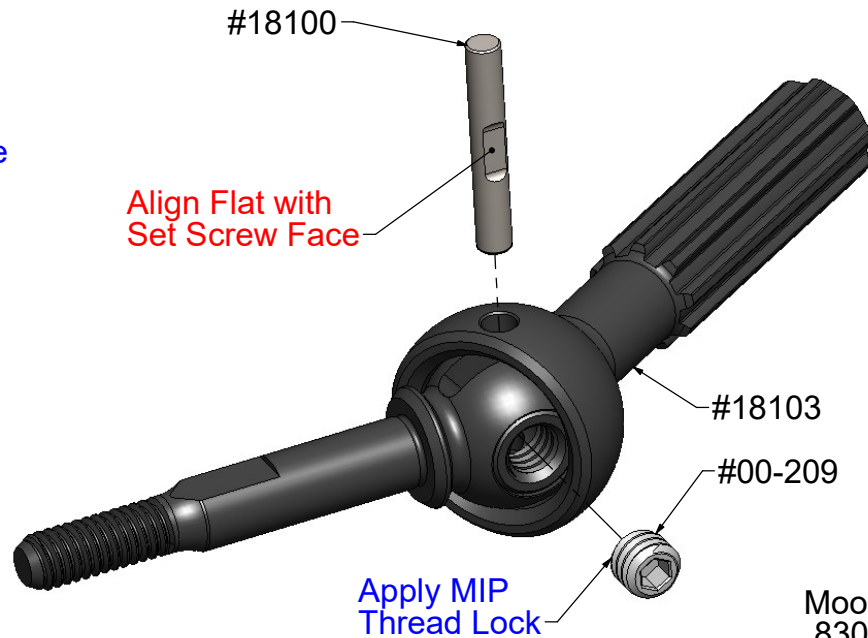
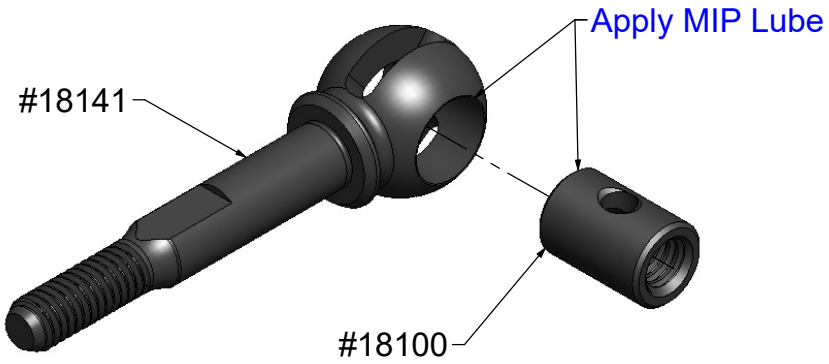
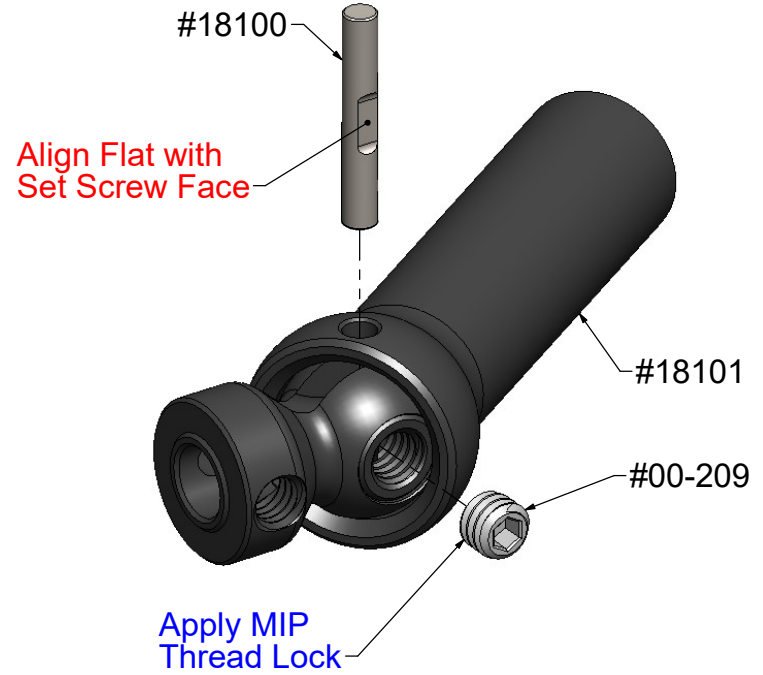
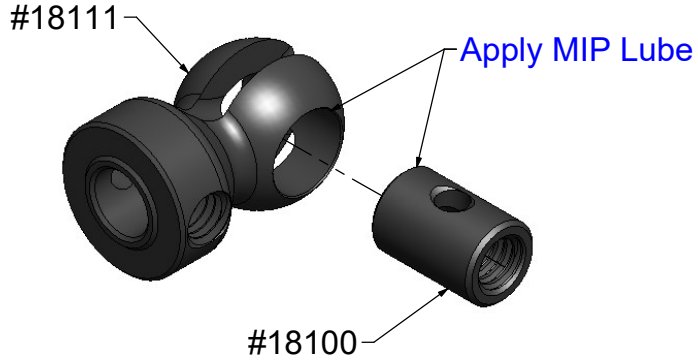
Apply MIP Lube

© 2020
Moore's Ideal Products, LLC
830 W. Golden Grove Way
Covina, CA 91722



www.MIPonline.com

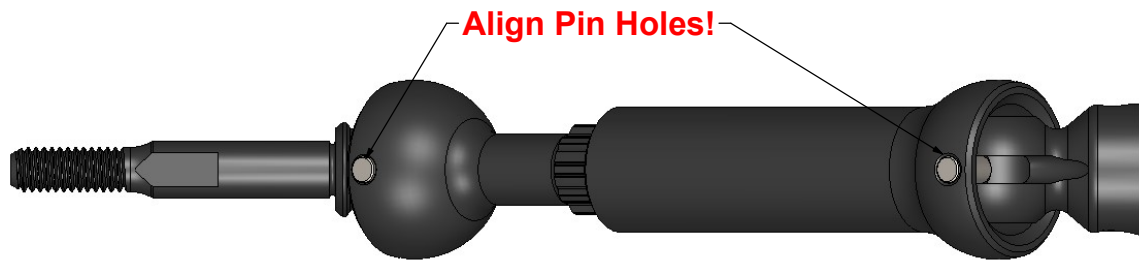
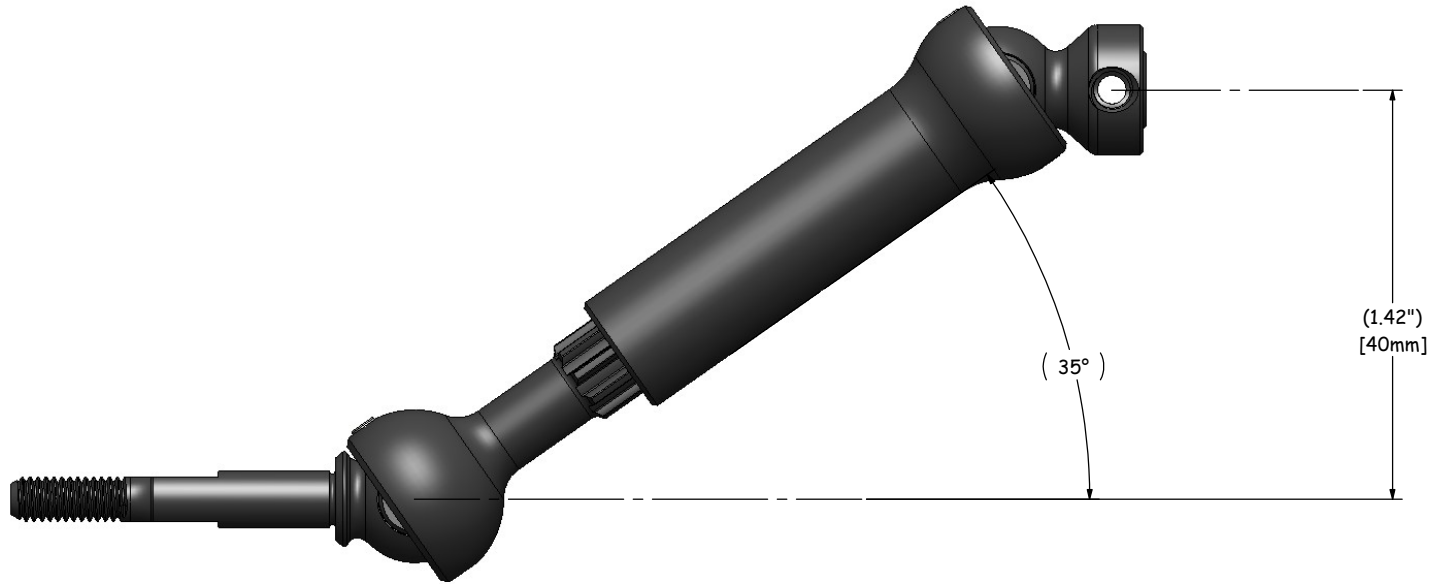
MIP X-Duty™ Instruction Guide





www.MIPonline.com

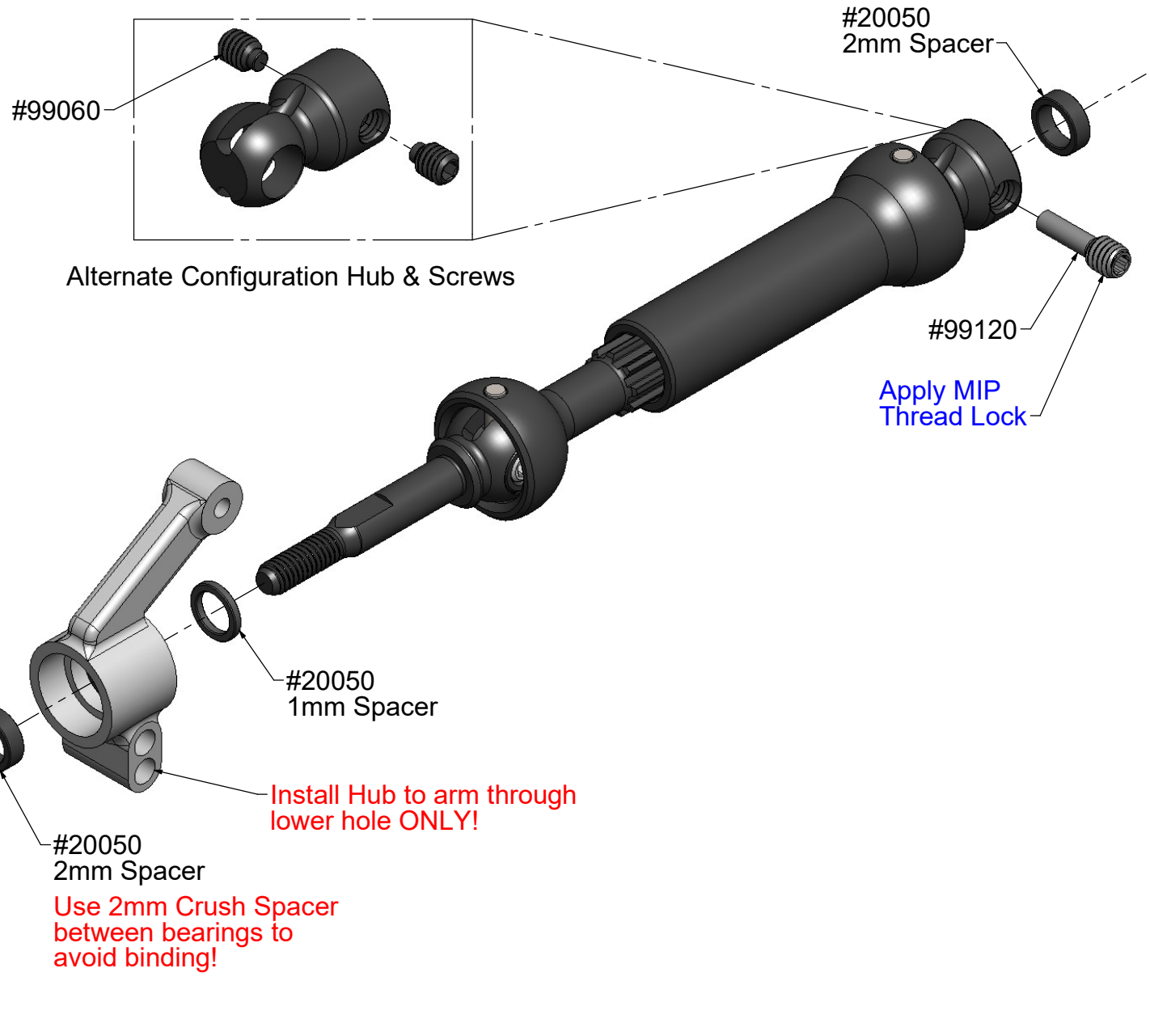
MIP X-Duty™ Instruction Guide





www.MIPonline.com

MIP X-Duty™ Instruction Guide



Drive Installation

© 2020
 Moore's Ideal Products, LLC
 830 W. Golden Grove Way
 Covina, CA 91722