

THANK YOU FOR CHOOSING

MIP

CAUTION  **READ**

Before Installation

Build your new MIP CVD's™ with **BLUE** MIP Thread Gel on all set screws and use MIP grease on all moving parts!

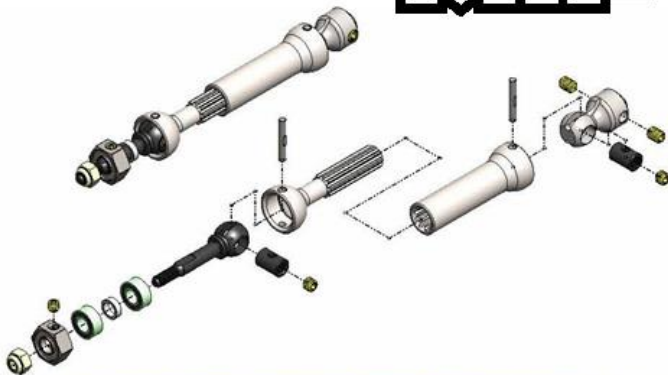
Visit <http://miponline.com/MIP/Instructions.html>

For Detailed Instructions!

2012-0021

THANK YOU FOR CHOOSING

MIP



Visit <http://miponline.com/MIP/Instructions.html>

For Detailed Instructions!