









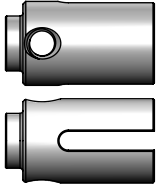
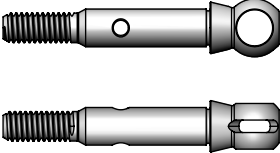



www.MIPonline.com

MIP C-CVD™ Kit Assembly Guide

--- WARNING!!! 2S LIPO USE *MAX*!!! ONLY ---

 4-40 Setscrew (x2) #10144	 M4 Pin Screw (x4) #99060	 1/16" Cross Pin (x2) #10144	 M4 Locknut (x2) #00-184
 5/64" Roll Pin (x2) #00-202	 Nylon Shock Spacer (x2) #00-366	 3/16" Coupling (x2) #10144	 Retaining Ring (x2) #10144

 CVD Outdrive Cup, (x2) #08115	 CVD Axle, (x2) #08114	 C-CVD Bone, (x2) #08113
---	--	---



Apply MIP Thread Lock



WARNING!!!
 Chemicals in tubes may cause eye/skin irritation and can be harmful if swallowed. If it comes in contact with skin, wash with plenty of soap and water. If in eyes; Rinse with water for fifteen minutes. If irritation persists get medical advice.

For more information & SDS please visit:
www.miponline.com/store/sds.html



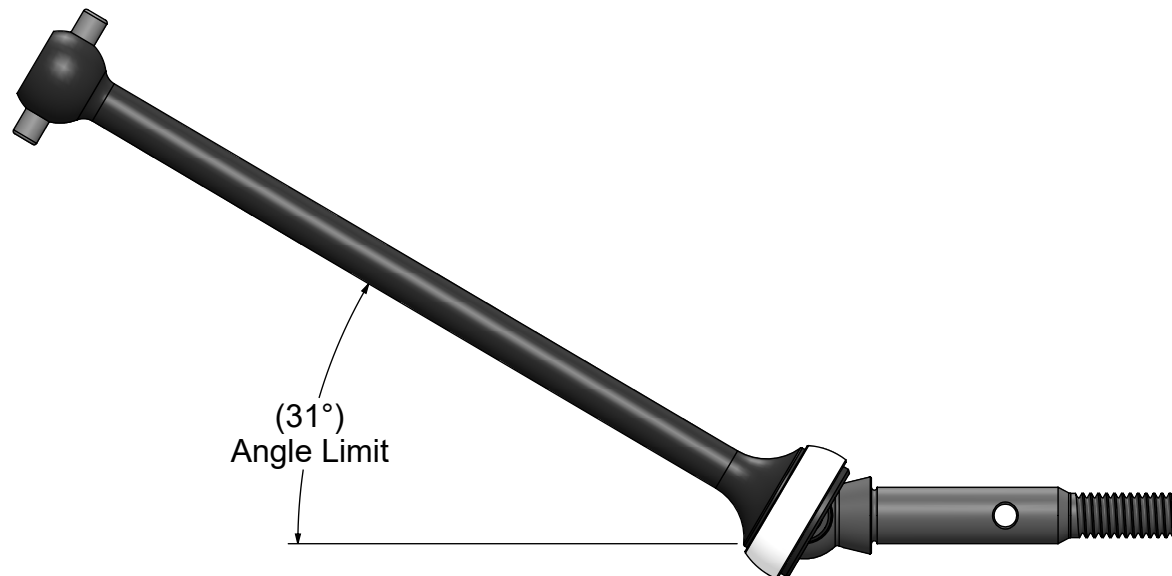
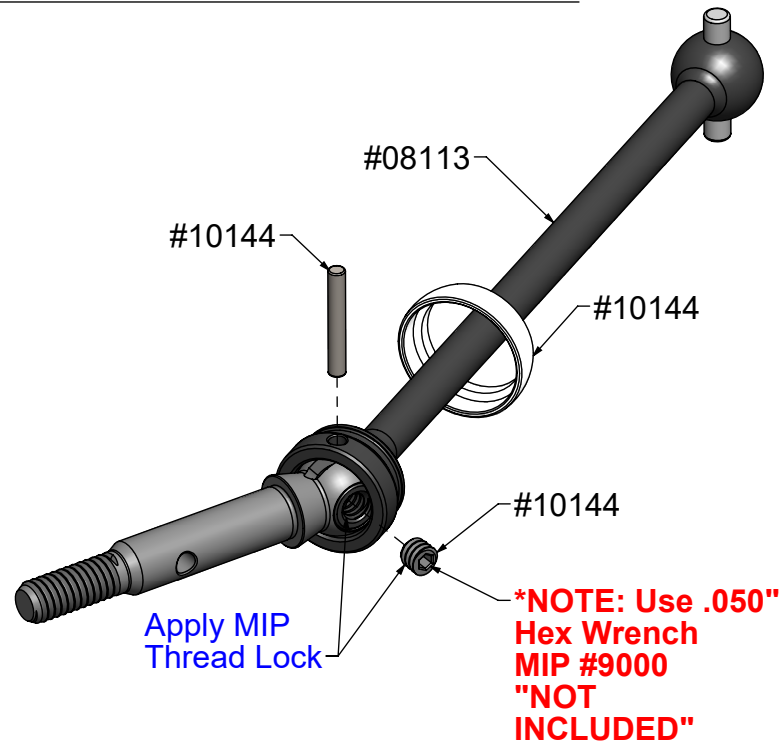
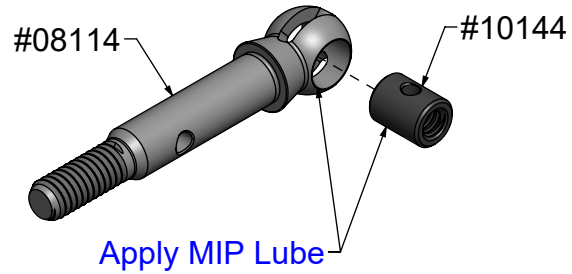
Apply MIP Lube

© 2020
 Moore's Ideal Products, LLC
 830 W. Golden Grove Way
 Covina, CA 91722



www.MIPonline.com

MIP C-CVD™ Kit Assembly Guide

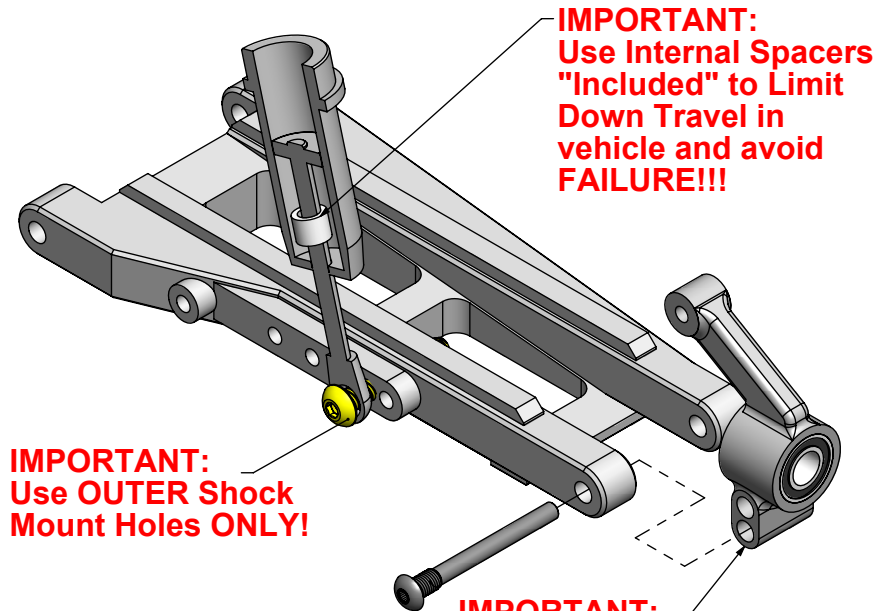


© 2020
 Moore's Ideal Products, LLC
 830 W. Golden Grove Way
 Covina, CA 91722



www.MIPonline.com

MIP C-CVD™ Kit Assembly Guide



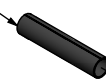
IMPORTANT:
Use Internal Spacers
"Included" to Limit
Down Travel in
vehicle and avoid
FAILURE!!!

IMPORTANT:
Use OUTER Shock
Mount Holes ONLY!

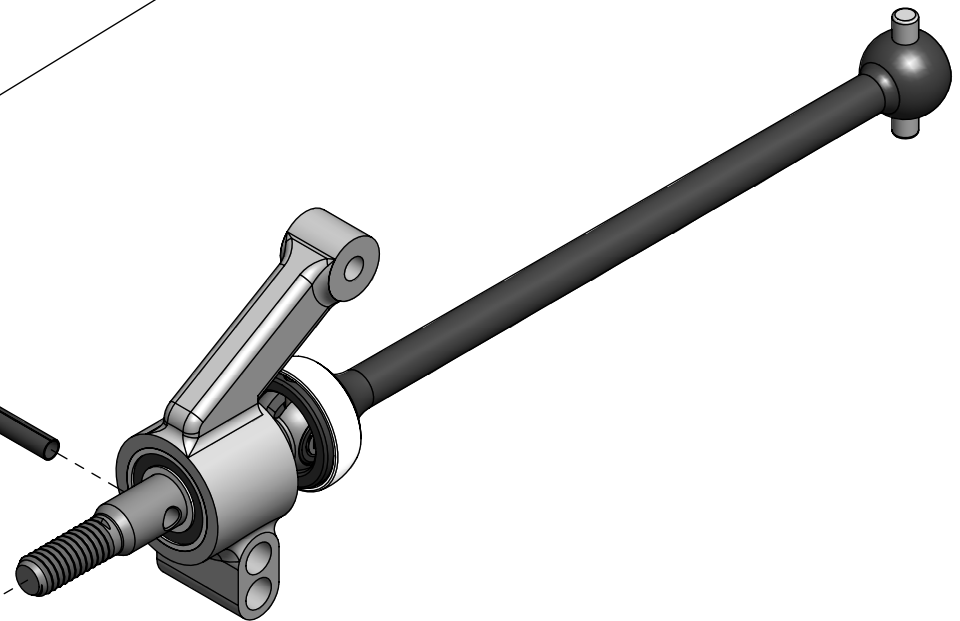
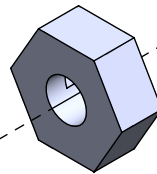
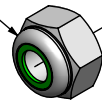
IMPORTANT:
Use LOWER Hole in
Hub Carrier ONLY!



#00-202



#00-184



© 2020
Moore's Ideal Products, LLC
830 W. Golden Grove Way
Covina, CA 91722